

| CONNECTOR 1 | |
|-------------|--------------|
| PIN N° | SIGNAL NAMES |
| 1 | D0 |
| 2 | D1 |
| 3 | D2 |
| 4 | D3 |
| 5 | D4 |
| 6 | D5 |
| 7 | D6 |
| 8 | D7 |
| 9 | MRST |
| 10 | |

| CONNECTOR 2 | |
|-------------|--------------|
| PIN N° | SIGNAL NAMES |
| 11 | GND |
| 12 | GND |
| 13 | |
| 14 | 0V |
| 15 | -8V |
| 16 | -24V |
| 17 | +5V |
| 18 | +7V |

| CONNECTOR 3 | |
|-------------|--------------|
| PIN N° | SIGNAL NAMES |
| 19 | J1 |
| 20 | J0 |
| 21 | RDI |
| 22 | RDO |
| 23 | WRI |
| 24 | WRO |
| 25 | |

| CONNECTOR 4 | |
|-------------|--------------|
| PIN N° | SIGNAL NAMES |
| 26 | RING 1 |
| 27 | TIP 1 |
| 28 | EXT GND 1 |
| 29 | TIP 2 |
| 30 | RING 2 |
| 31 | EXT GND 2 |
| 32 | EDG |

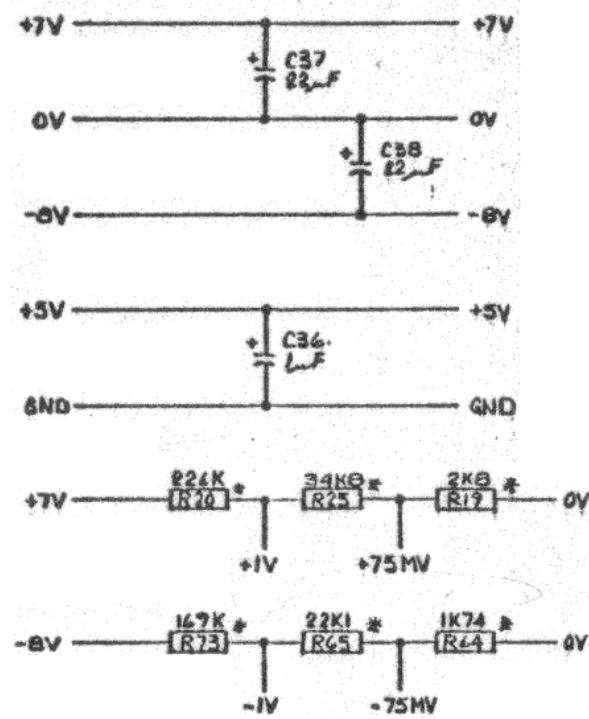
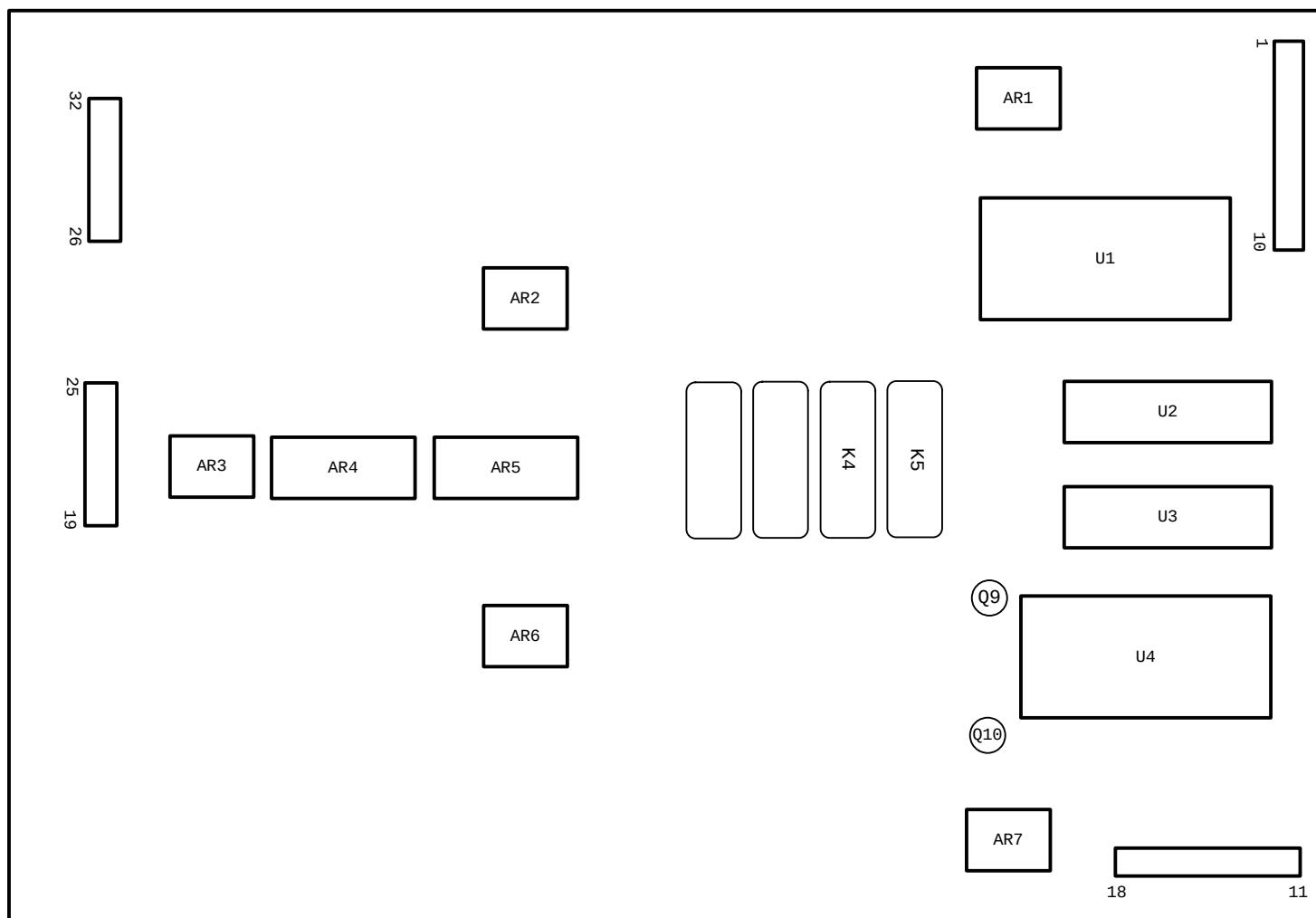
| CHIP POWER INPUT | | | | | | |
|------------------|----------|-----|-----|-----|----|-----|
| TYPE | CHIP REF | +5V | +7V | -8V | 0V | GND |
| 1458 | AR1, AR7 | | 8 | 4 | | |
| 358 | AR3 | | 8 | 4 | | |
| 339 | AR4, AR5 | | 3 | 12 | | |
| 6804 | U1, U4 | | 24 | 13 | 12 | |
| 74C245 | U2, U3 | 20 | | | | 10 |

| LAST REFERENCE DESIGNATION USED | | | | | | | | | | | |
|---------------------------------|-----|------|-----|-----|-----|-----|-----|-----|------|------|------|
| R104 | C49 | CR18 | Q10 | K6 | S2 | T2 | RV6 | AR7 | U4 | P4 | |
| REFERENCE DESIGNATION NOT USED | | | | | | | | | | | |
| CR1 | CR2 | CR3 | CR4 | CR5 | CR6 | CR7 | CR8 | CR9 | CR10 | CR11 | CR12 |

Permanently mark part number & revision in approx. location indicated, using .09/.12 high characters (color)

These drawings and specifications are the property of MITEL CORPORATION and shall not be reproduced, copied, or used as the basis for the manufacture, or sale of apparatus without the written permission of MITEL CORPORATION.

| REVISION | | DESCRIPTION | DRN | CHK |
|----------|---|-------------|------|-----|
| A | PRODUCTION RELEASE | | | |
| A.1 | CRN No. 7-1 INC. | | R.B. | |
| A.8 | CRN No. 203 848, 885, 890, 923, 1004, 1043, 1123 INC. | | R.B. | RR |



3) CAPACITORS TO BE SELECTED AS MATCH PAIR (±0.5%)

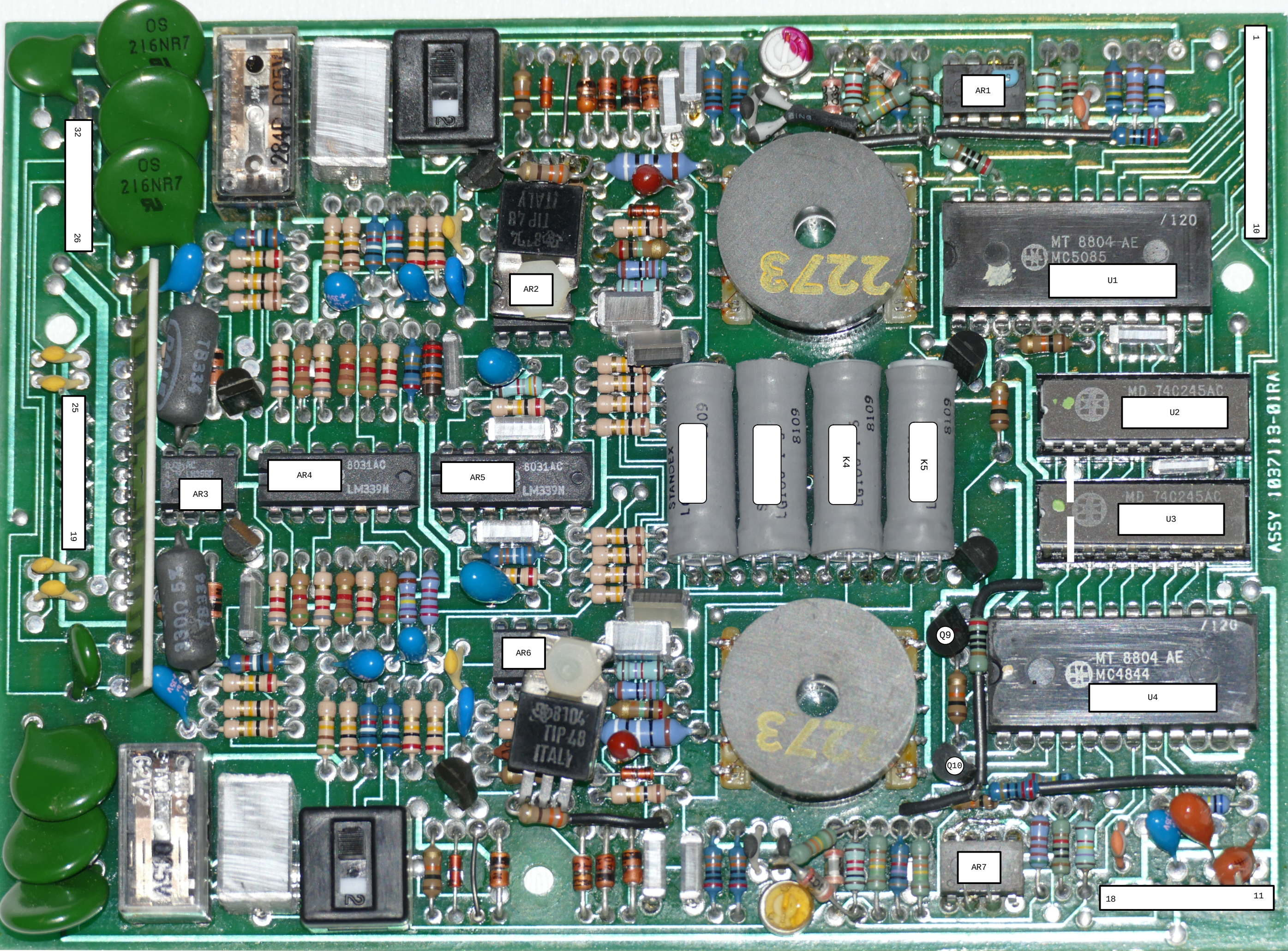
2) RESISTORS MARKED THIS * TO BE ±1%

1) UNLESS OTHERWISE SPECIFIED:-
 → ALL RESISTORS ARE ±5%
 → ALL RESISTORS ARE 1/4W

NOTES:- REF

REV
A.8

| QTY | QTY | ITEM | PART NO. | MANUFACTURER / SPECIFICATION | DESCRIPTION |
|-----|-----|------|----------|--|---|
| -02 | -01 | | | | |
| | | | | UNLESS OTHERWISE SPECIFIED TOLERANCES .XX% .XXX% Ø INDICATES DIM ANGLES: 2°-30° | DRN: BLAIS DES: R. BLAIS CHK: [initials] ENG: [initials] APPR: [initials] |
| | | | | MATERIAL | REF: EWG |
| | | | | FINISH | PRODUCT CODE |
| | | | | USED ON: PERI ASSY | |
| | | | | | MITEL CORPORATION SCHEMATIC TRUNK MODULE (SX-20) |
| | | | | | D 1037110 |
| | | | | | SCALE: ~ SHEET 1 OF 3 |



32
26

25
19

1
10

18
11

V910-6112601 ASSY

OS
216NR7
OS
216NR7

284P DC5V

T8334

3300 5%
7E887

8031AC
LM339N

8031AC
LM339N

TIP 48
ITALY

6018
6018
6018
6018
STANDEX

2273

2273

AR1

AR2

AR3

AR4

AR5

AR6

AR7

Q9

Q10

MT 8804-AE
MC5085 /120

MD 74C245AC

MD 74C245AC

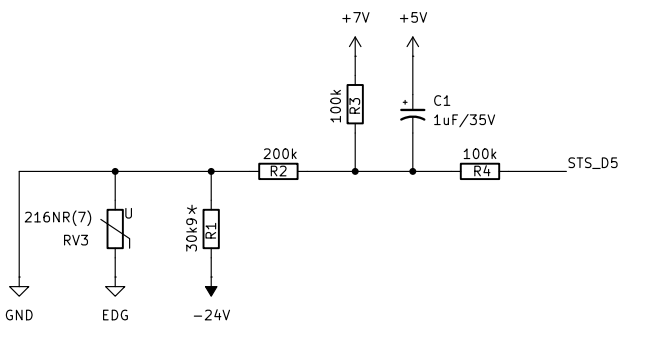
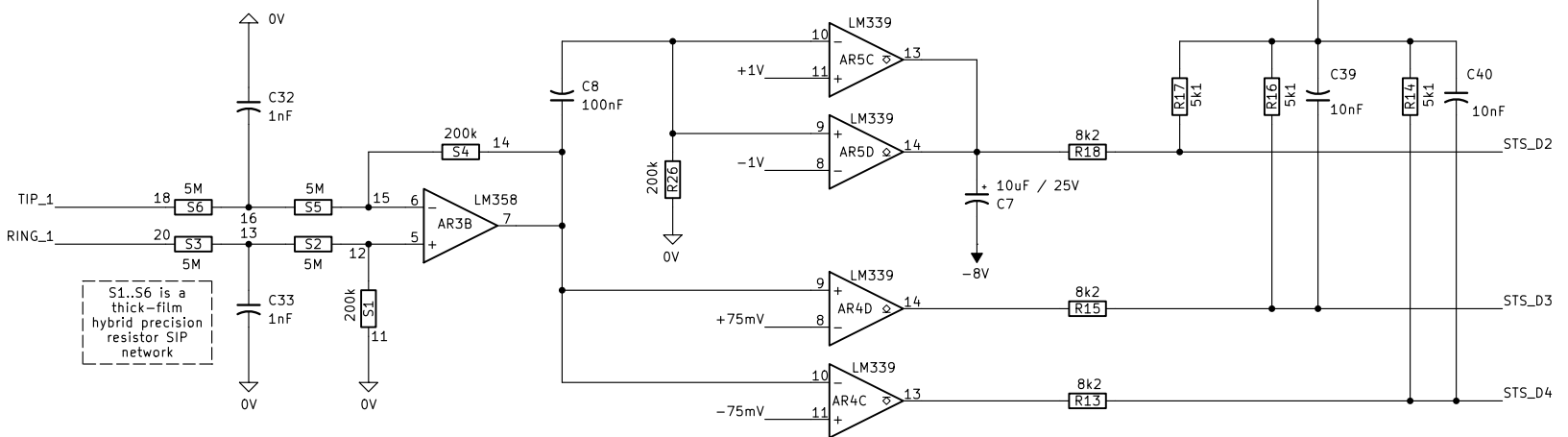
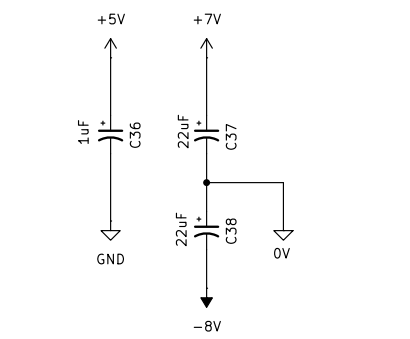
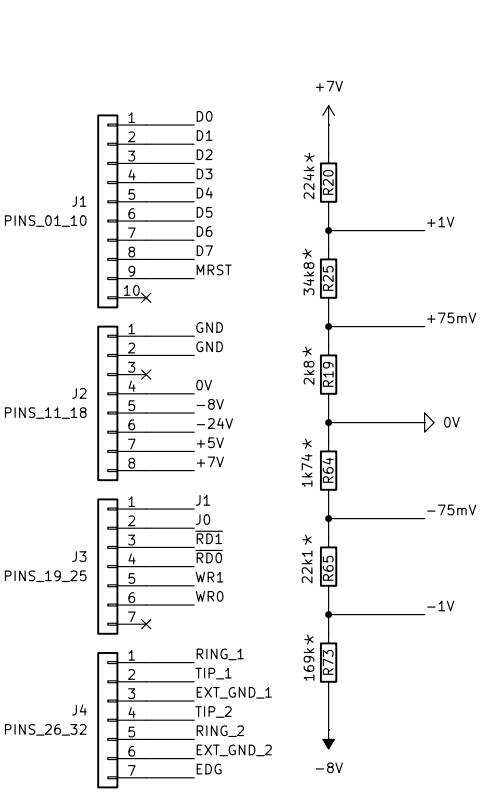
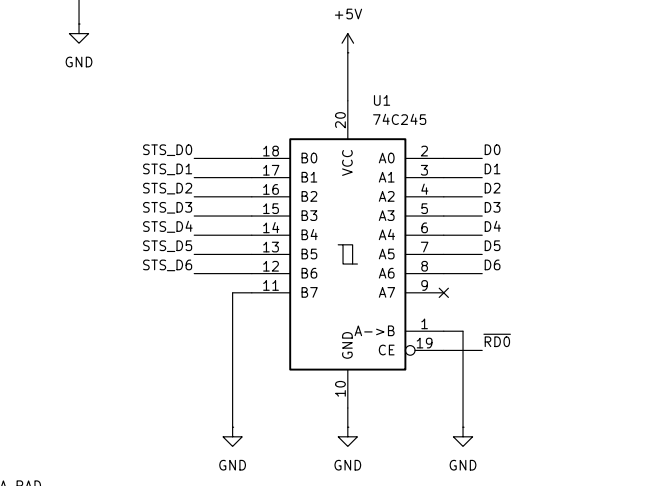
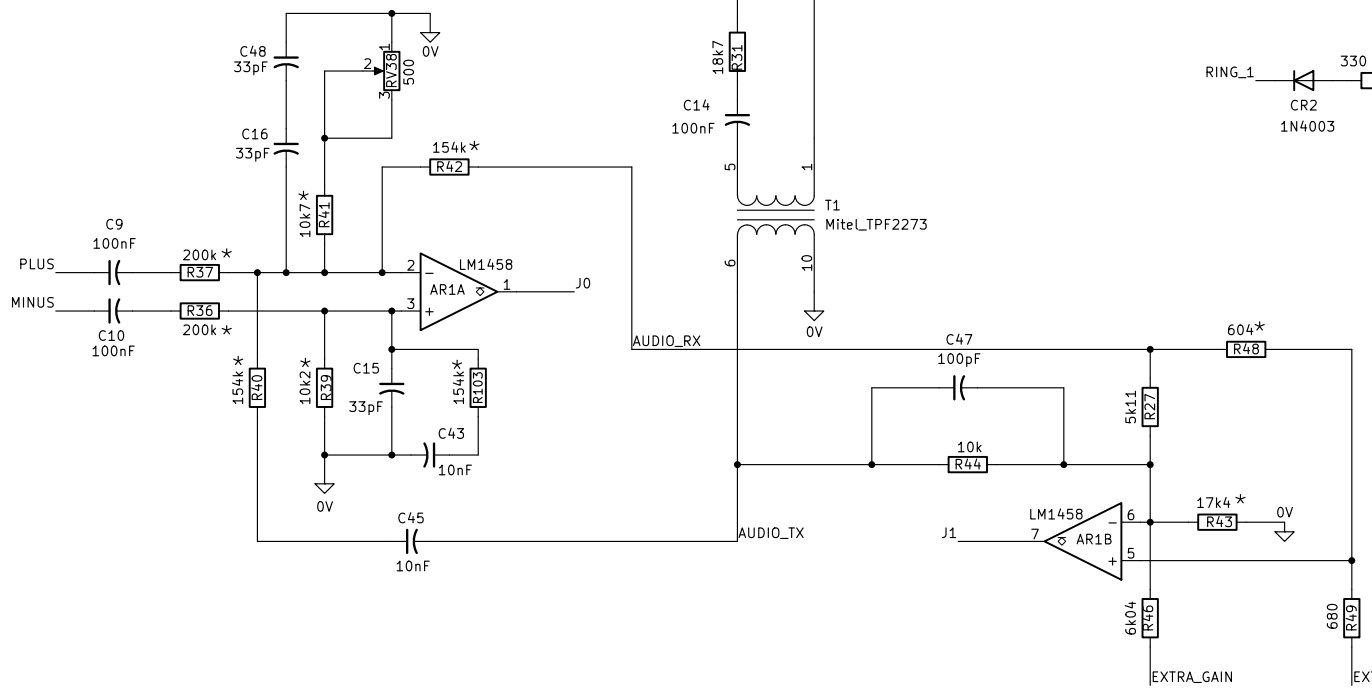
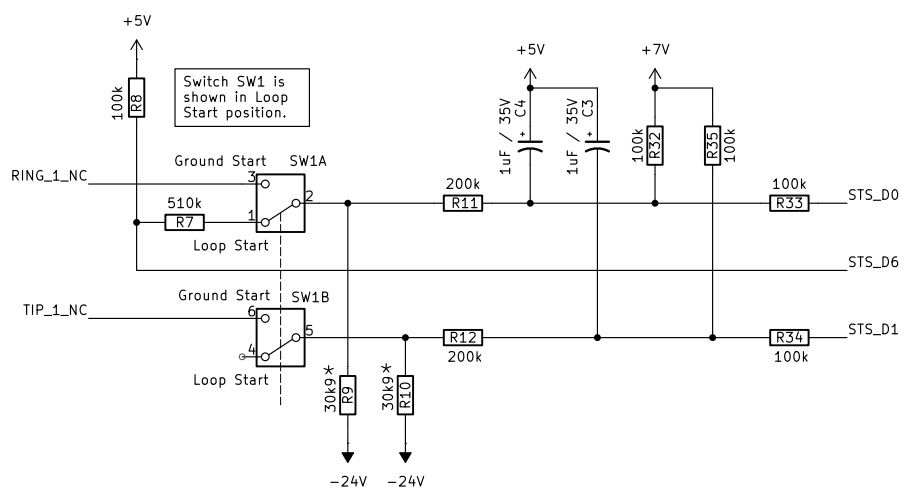
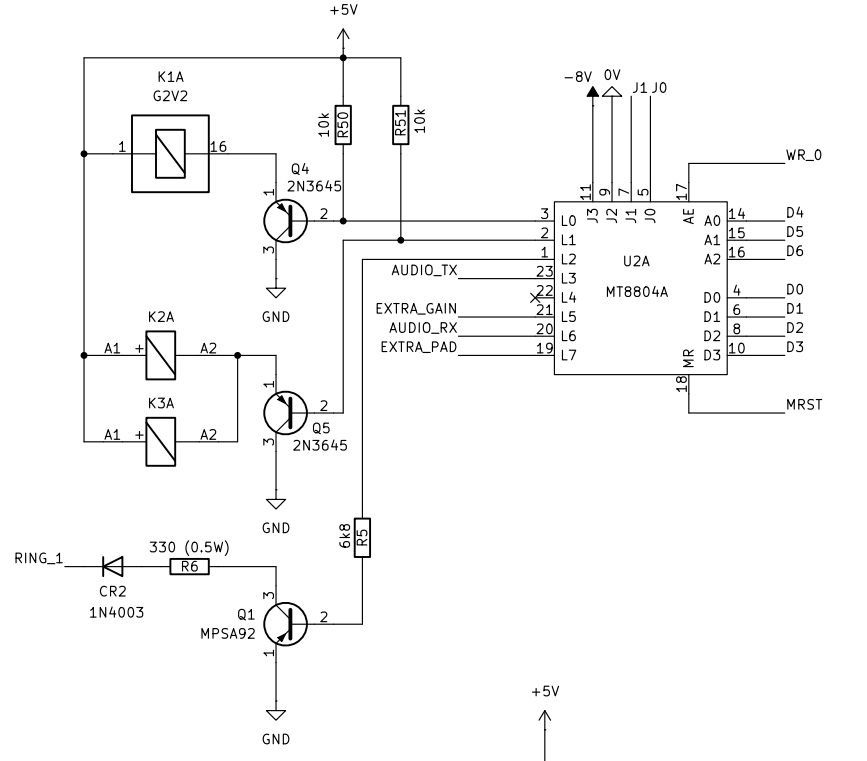
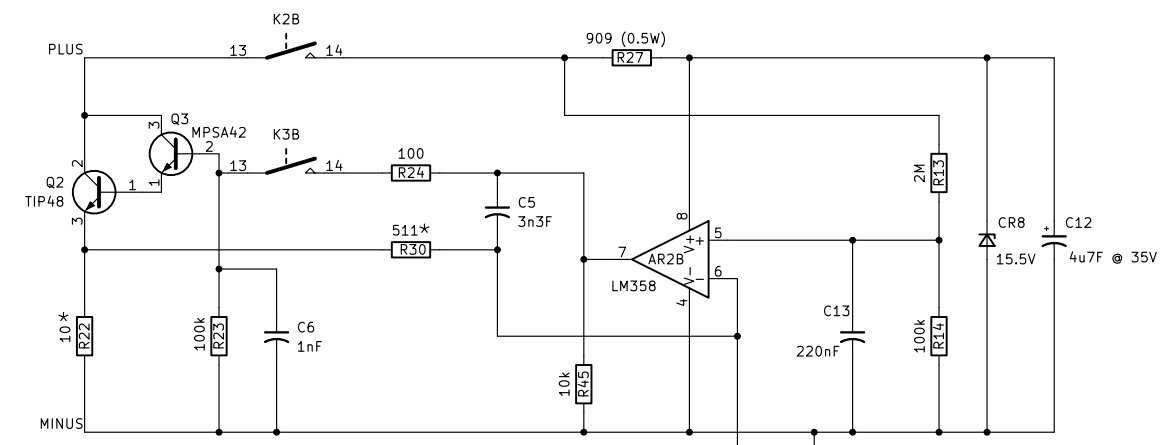
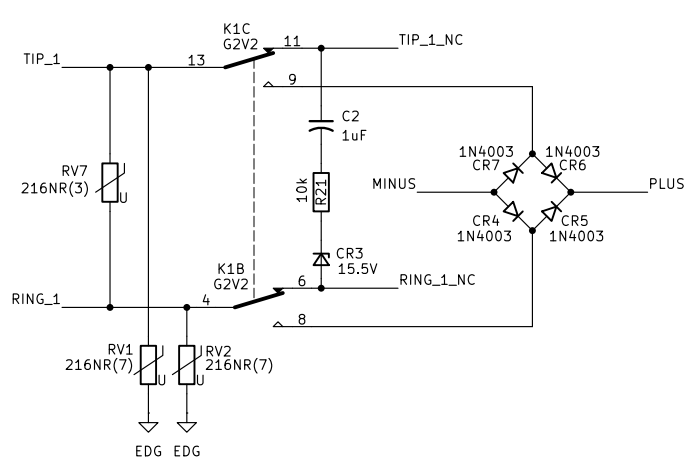
MT 8804 AE
MC4844 /120

U1

U2

U3

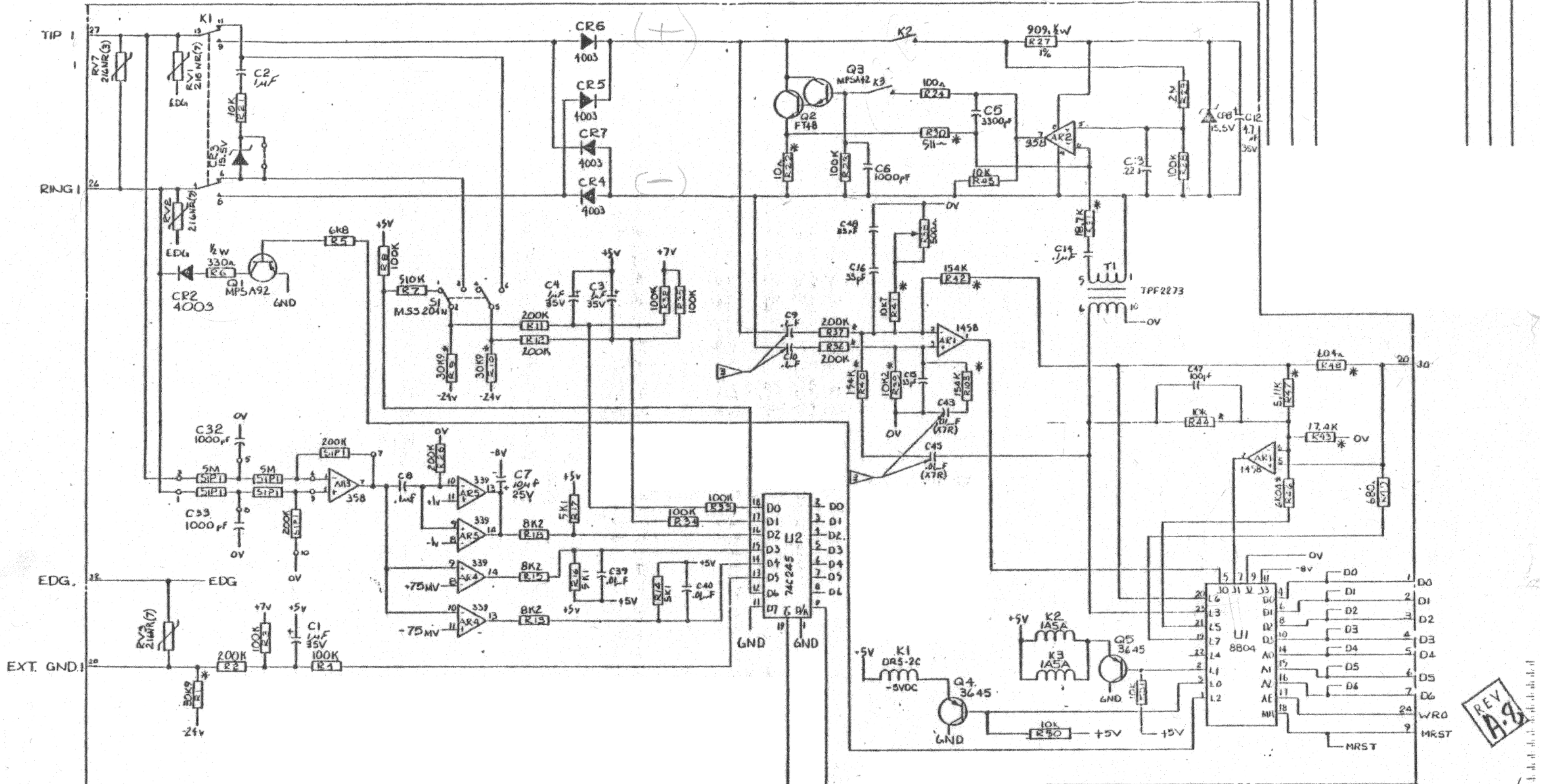
U4



△ Permanently mark part number & revision in appropriate location indicated, using .007, 12 high characters (color) 1

These drawings and specifications are the property of MITEL CORPORATION and shall not be reproduced, copied, or used as the basis for the manufacture, or sale of apparatus without the written permission of MITEL CORPORATION.

| REVISION | | DATE | CHK | DATE |
|----------|--------------------|------|-----|------|
| REV | DESCRIPTION | | | |
| A | PRODUCTION RELEASE | | | |
| AJ | SEE SHEET 1 | | | |
| AB | SEE SHEET 1 | | | |



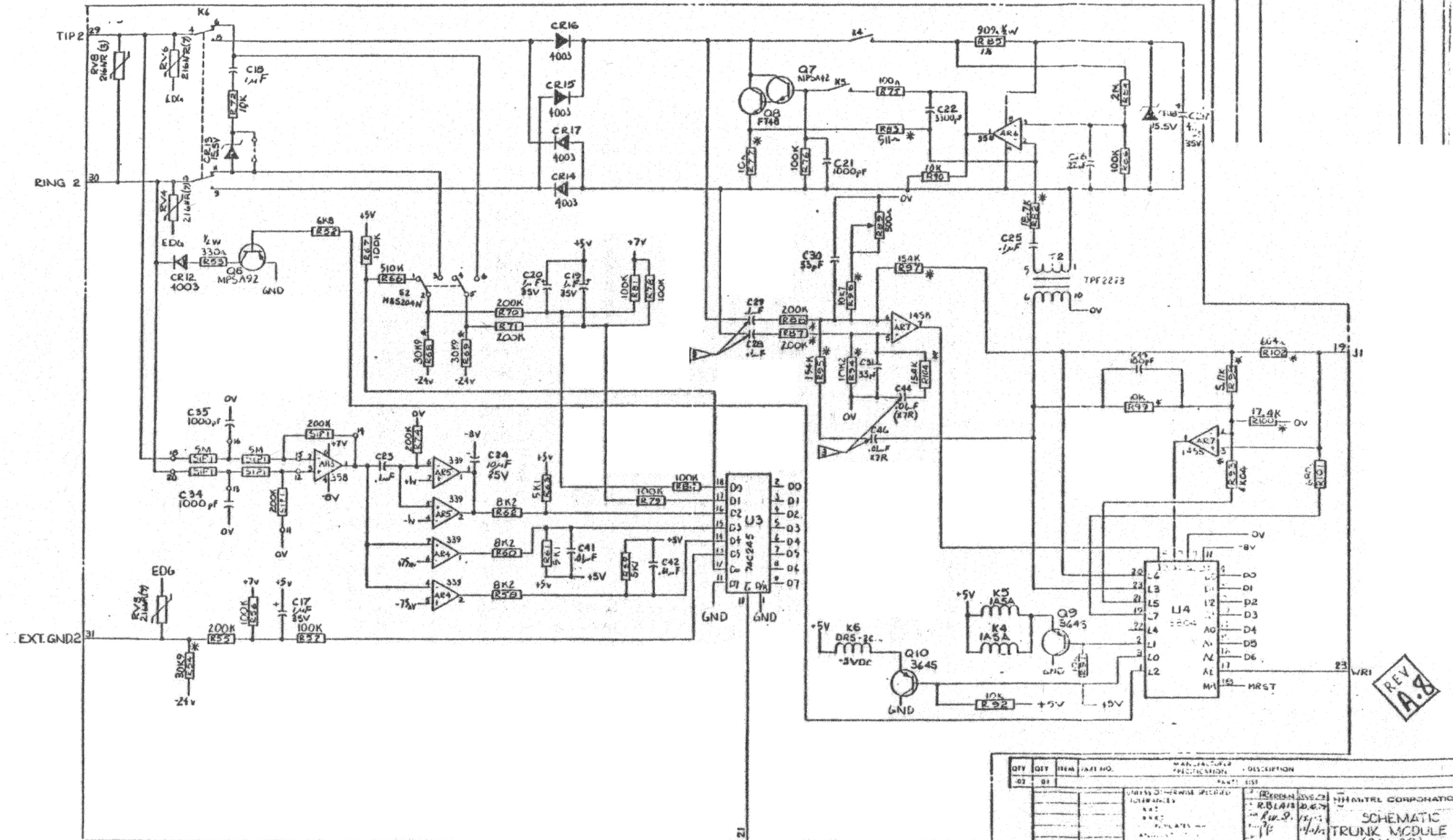
REV A.9

| QTY | ITEM | PART NO. | MANUFACTURER/SPECIFICATION | DESCRIPTION |
|----------------------------|------|----------|----------------------------|-------------|
| 02 | 01 | | | |
| PARTS LIST | | | | |
| UNLESS OTHERWISE SPECIFIED | | | | |
| TOLERANCES | | | | |
| .XX% | | | | |
| .XXX% | | | | |
| K INDICATES mm | | | | |
| ANGLES 0°-30° | | | | |
| MATERIAL | | | | |
| FINISH | | | | |
| PRODUCT CODE | | | | |
| SCALE | | | | |
| SHEET 2 OF 3 | | | | |

MITEL CORPORATION
SCHEMATIC TRUNK MODULE (SX-20)
D 1037110

These drawings are the property of MITEC CORPORATION. No part of these drawings, or any part thereof, may be reproduced, copied, or used in any way for the manufacture, or sale of equipment, without the written permission of MITEC CORPORATION.

| | | | |
|-----|--------------------|------|-----|
| REV | DATE | BY | CHK |
| A | PRODUCTION RELEASE | | |
| A1 | SEE SHEET 1 | P.B. | |
| A.8 | SEE SHEET 1 | P.B. | |



REV
A.8

| QTY | QTY | ITEM | PART NO. | MANUFACTURER | DESCRIPTION |
|-----|-----|------|----------|--------------|-------------|
| 02 | 01 | | | | |

| | | | |
|----------------------------|------------|-----------|---------------|
| UNLESS OTHERWISE SPECIFIED | TOLERANCES | RESISTORS | 1% 5% 10% 20% |
| CAPACITORS | 5% 10% 20% | INDUCTORS | 5% 10% |

| | | |
|---------|------|------|
| DATE | BY | CHK |
| 11/1/71 | R.P. | P.B. |

| | |
|-----------------|----------------------|
| MANUFACTURED BY | MITEC CORPORATION |
| SCHEMATIC | TRUNK MODULE (SX-20) |
| D 1037110 | |