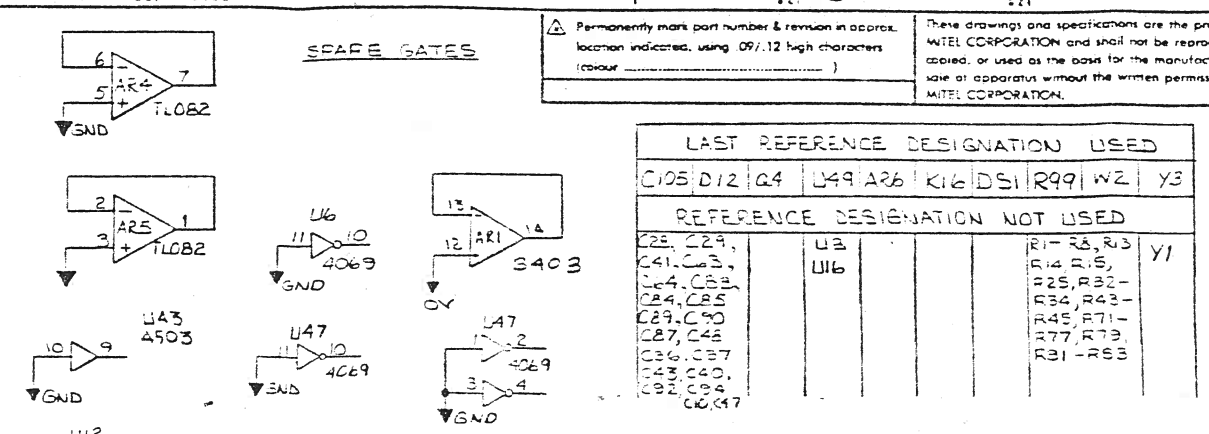
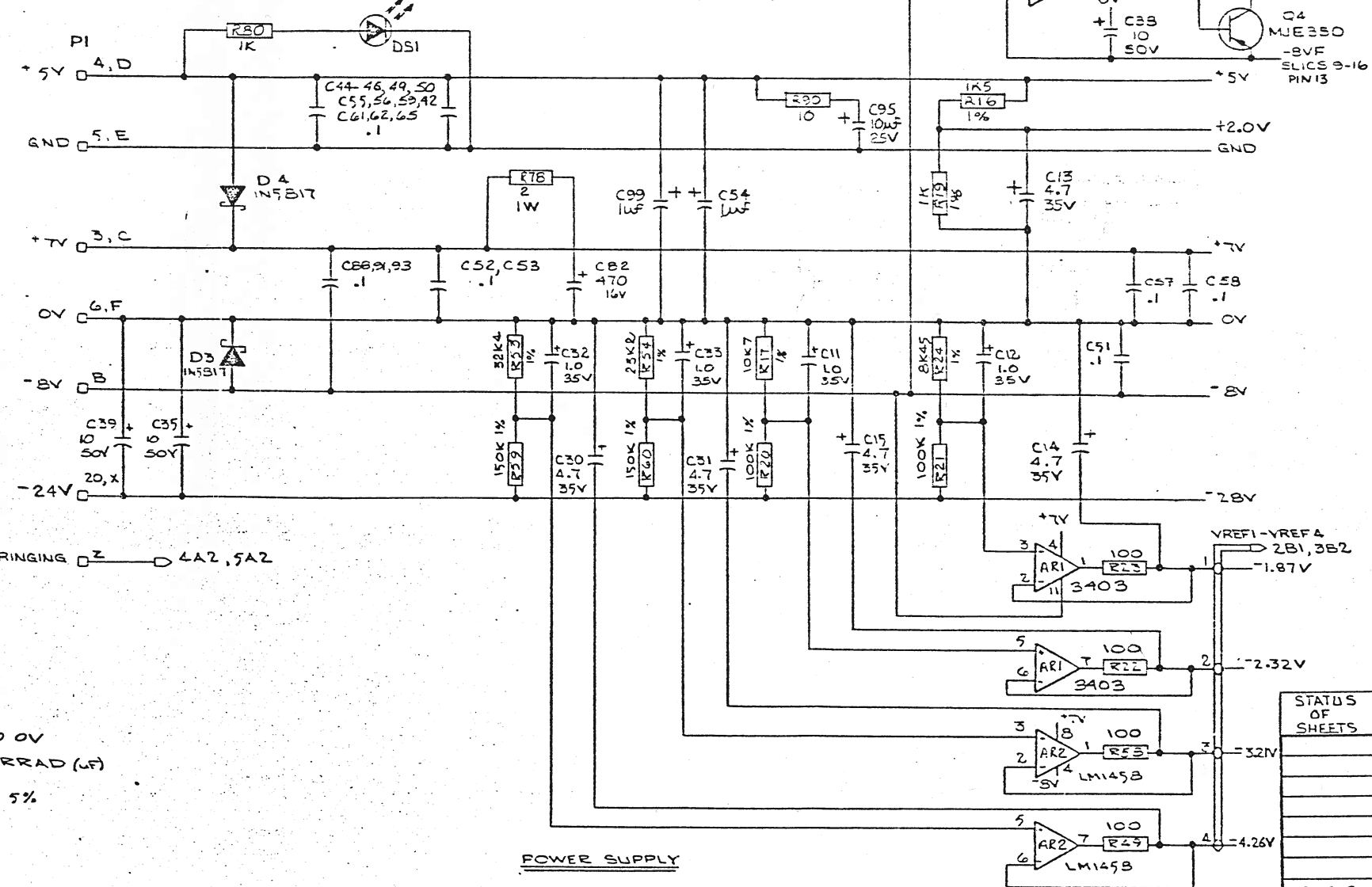


PN NO	COMPONENT	PIN NO	SOLDER SIDE
1	A0	A	A1
2	A2	B	-8V
3	+7V	C	+7V
4	-5V	D	+5V
5	GND	E	GND
6	0V	F	0V
7	D7	H	D6
8	D9	J	D4
9	D3	K	D2
10	D1	L	D0
11	CS2000	M	CS200B
12	CS2010	N	R/W
13	WD15	P	MRST
14	D0	R	J1
15	D2	S	J3
16	D4	T	J5
17	D6	U	J7
18	D8	V	J9
19	D4	W	J5
20	-24V	X	-24V
21	EDG	Y	EDG
22	R/W	Z	90Y RINGING

CHIP POWER INPUTS									
CHIP TYPE	CHIP REF DESIG	+7V	+5V	-8V	0V	GND	-28V	-8Vf	
4051	U3,14,19,17,23,35,36,39	16		7	8				
4051	U13,44		16			7,8			
4069	U6, U47		14			7			
LM1458	AR2	8		4					
4071	U4, U45		14			7			
4075	U5, U46		14			7			
4099	U9, U40		16			8			
4175	U7, U48		16			8			
4503	U12, U43		16			8			
4555	U20, U27		16			8			
2004AN	U10, U41		9			8			
8804	U17, 21, 22, 23, 24 U28, 29, 30, 31, 32	24		13	12				
6402	U25, U26		1			3			
74HCT138	U11, U37		16			8			
74HCT374	U2, U42		20			10			
74HCT245	U1		20			10			
3403	AR1	4		11					
LM393	U38, U49		8	4					
SLICS	1 THRU 16	3			5, 10	6	13		
LM353	AR3	8		4					
8840	U15 U34		18		9				
74082	AR5 AR4		8		4				
353	AR6			8		4			



REVISION			
ZONE	REV	DESCRIPTION	DATE
3	ENG RELEASE	JAV	1/20
4	INC CHANGES	JFB	2/25
A1	PROD REL	JFB	2/25
B	MEL 8148, 8377, 8378, 8446, 8460, 8589, 8653, 7873, 7274, 7275, 7322, 7367R1, 80AKCC060 INC.	JAV	1/20
B1	MRI K10033 INC.	JAV	2/25



3. JUMPER W2 ADDED IN PARALLEL TO 0V

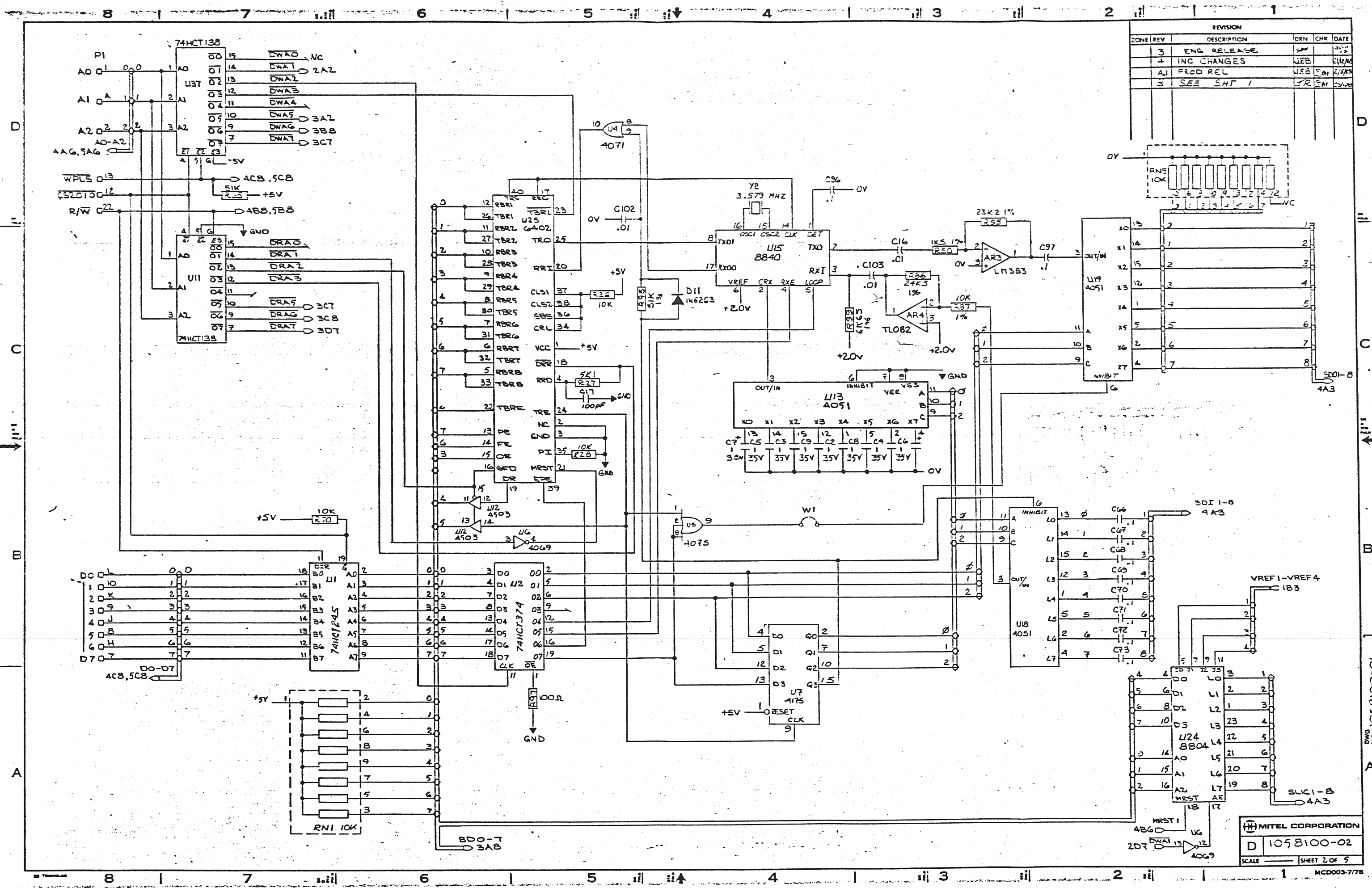
2. ALL CAPACITORS ARE IN MICROFARRAD (uF) UNLESS OTHERWISE SPECIFIED.

1. ALL RESISTORS ARE IN OHMS (Ω) 1/4W 5% UNLESS OTHERWISE SPECIFIED.

NOTES: REF

STATUS OF SHEETS	REV	SHT					UNLESS OTHERWISE SPECIFIED, REMOVE BURRS & SHARP EDGES. () INDICATES mm. TOLERANCES .XX ± .XXX ±	DRN	DES	CHK	ENG	APPR	MATERIAL	FINISH	PRODUCT CODE	NEXT ASSY	MITEL CORPORATION		
		1	2	3	4	5											SCHEMATIC DIAGRAM	SUPER SET LINE CARD (NA)	
																		D	1058100-02
																		SCALE	SHEET 1 OF 5

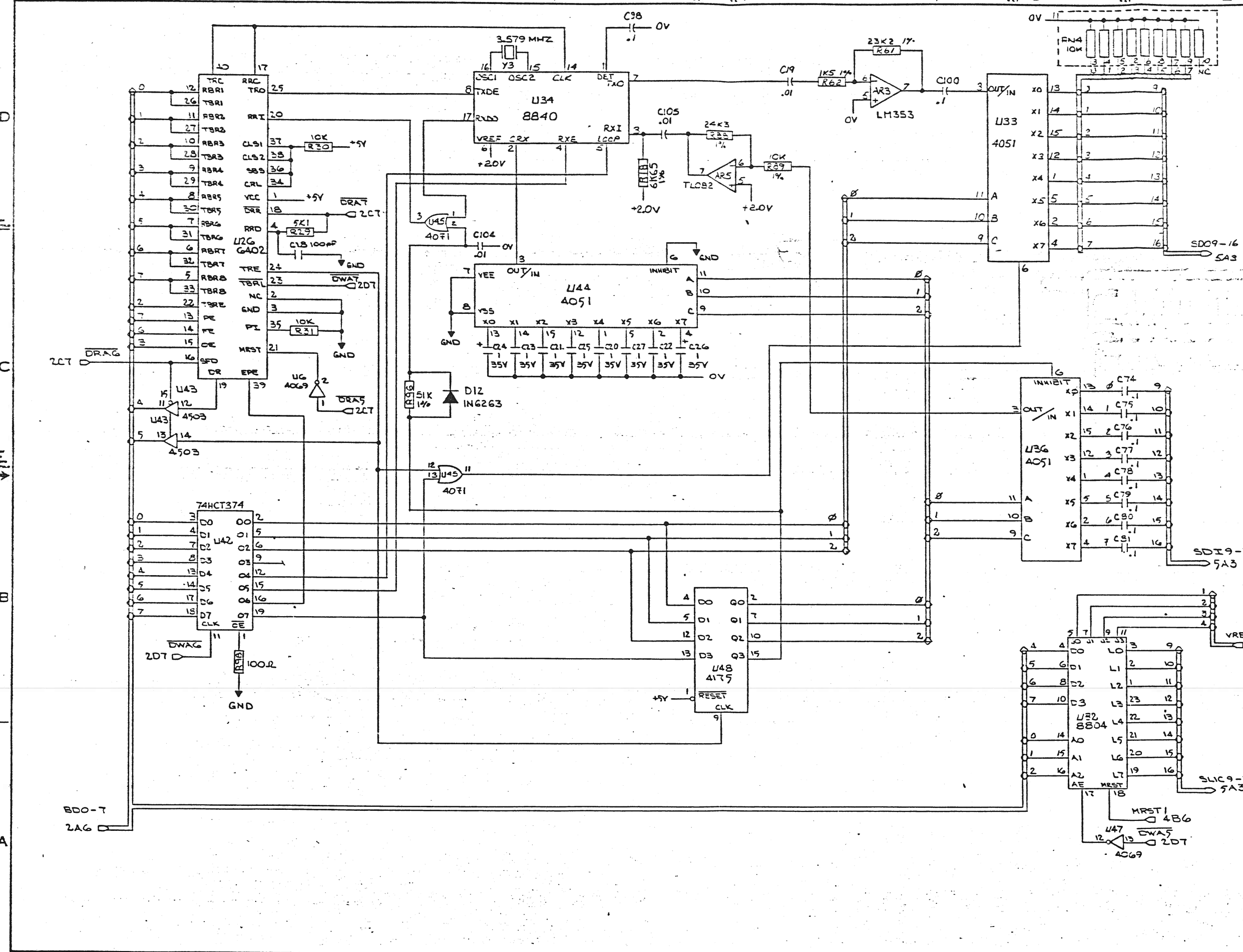
REVISION					
ZONE	REV	DESCRIPTION	ORN	CHK	DATE
	3	ENG RELEASE			3/2/78
	4	INC CHANGES	JFB		2/2/78
	A1	PRCD REL	JFB	SM	2/3/78
	5	SEE SHT 1	JR	SM	2/2/78

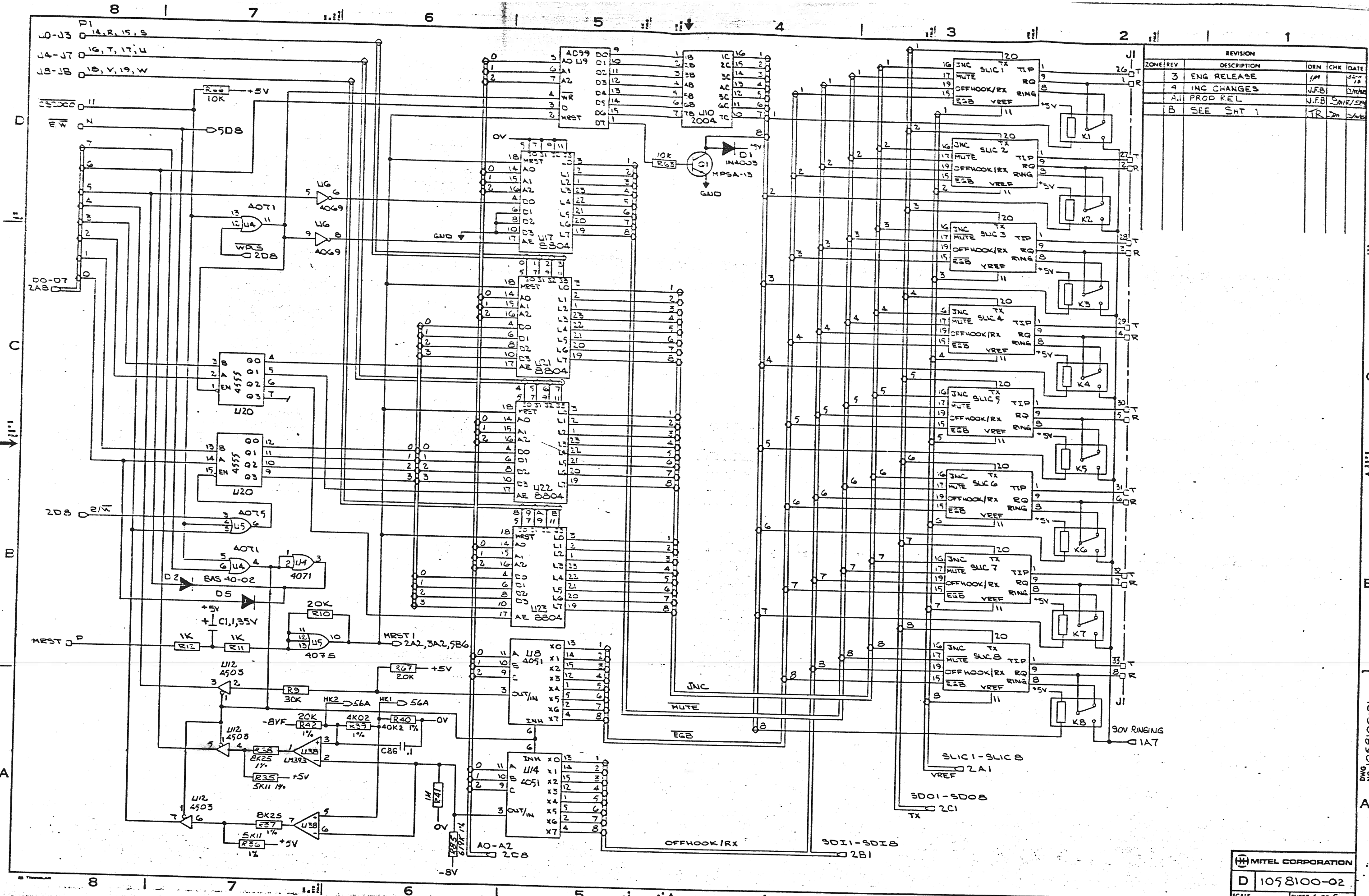


MITEL CORPORATION
 D 1058100-02
 SCALE _____ SHEET 2 OF 5
 MCD003-7/78

DWG NO. 1058100-01

REVISION				
ZONE	REV	DESCRIPTION	DRN	CHK DATE
	3	ENG RELEASE		
	4	INC CHANGES	JFB	2/2/82
	A.1	PROD REL	JFB	5/11/82
	3	SEE SHT 1	JR	5/11/82





REVISION					
ZONE	REV	DESCRIPTION	DRN	CHK	DATE
	3	ENG RELEASE	JFM		5/27/78
	4	INC CHANGES	JFB		6/1/78
	A.1	PROD REL	J.F.B		5/27/78
	B	SEE SHT 1	TR	JFM	5/27/78

MITEL CORPORATION
D 1058100-02
 SCALE _____ SHEET 4 OF 5
 MCD003-778

DWG No. 1058100-01

