

CONNECTOR SIGNAL NAMES		SOLDER SIDE	
PIN NO	COMPONENT SIDE	PIN NO	SOLDER SIDE
1	E	2	Q
3	PD7	4	PA0
5	PD6	6	PA1
7	PD5	8	PA2
9	PD4	10	PA3
11	PD3	12	PA4
13	PD2	14	PA5
15	PD1	16	PA6
17	PD0	18	PA7
19	REGEN	20	PA8
21	PGSEL1	22	PA9
23	PGSEL2	24	PA10
25	VMA	26	PA11
27	+5	28	PA12
29	+5	30	PA13
31	GND	32	PA14
33	GND	34	PA15
35	BA	36	BS
37	NYWR	38	R/W
39	SPARE	40	MRST
41	PRS	42	WPLS
43	SPARE	44	R/W
45	SPARE	46	SW OPEN
47	BAD BATT	48	BATT TEST
49	SPARE	50	SPARE

CHIP POWER INPUTS				
CHIP TYPE	CHIP REF DESIG	+5V	GND	BATT
5516/5518	U1 TO U4	24	12	
2764	U9 TO U24, U27 TO U32	28	14	
393	U10	8	4	
5516/5518	U11 TO U16		12	24
4013	U26		7	14
4066	U18		7	14
74LS32	U8, U17	14	7	
74HCT138	U5, U25	16	8	
74HCT138	U6, U7		8	16
4013	U9	14	7	

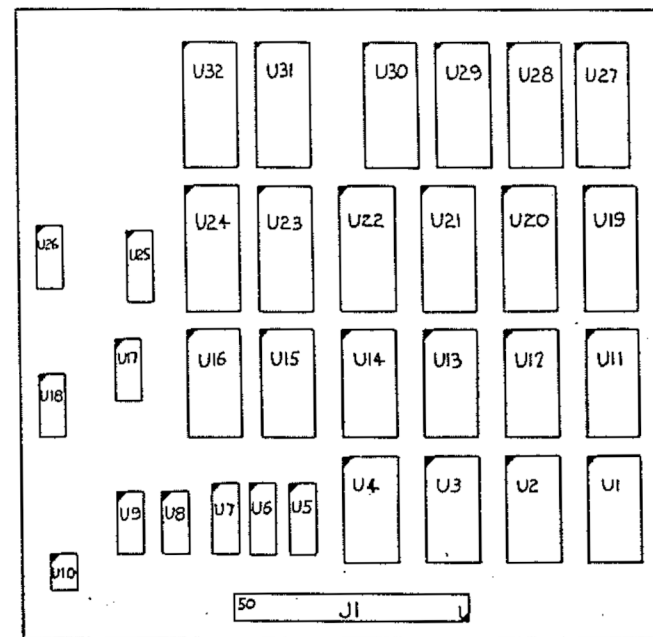
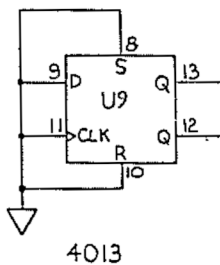
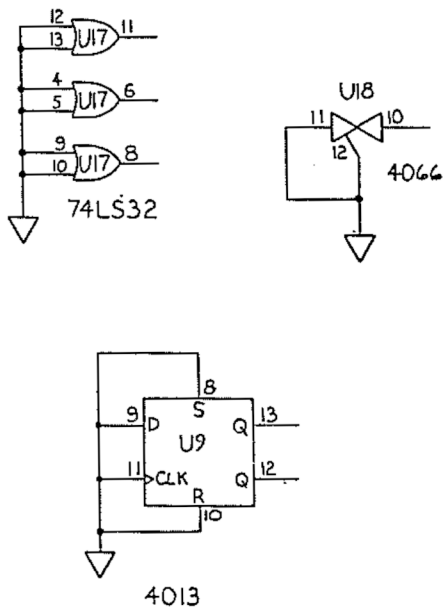
LAST REFERENCE DESIGNATION USED									
C32	CR4	J1	Q2	U32	Q21	S1	BT1		
REFERENCE DESIGNATION NOT USED									

Permanently mark part number & revision in approx. location indicated, using .09/.12 high characters (color)

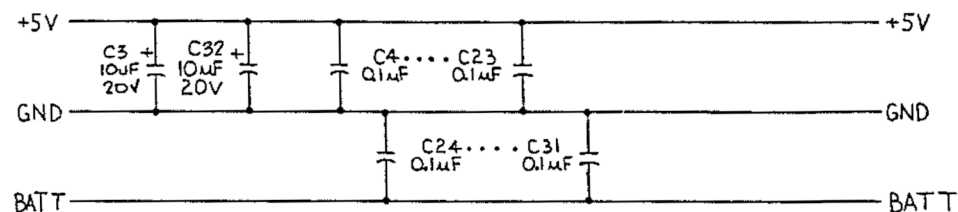
These drawings and specifications are the property of MITEL CORPORATION and shall not be reproduced, or copied, or used as the basis for the manufacture, or sale of apparatus without the written permission of MITEL CORPORATION.

CATEGORY		REVISION			
ZONE	REV	DESCRIPTION	DRN	CHK	DATE
2		ENG RFL	RH	KT	26/82
3		PROD RELEASE	MS	KT	23/82
A		MRI #490A INCORP	MS	ML	20/82
B		ECR #5303, MRI 5506 5316 INCORP	MS	MS	19/83
B.1		PRODUCTION RELEASE	MS	MS	21/83
C		MRI 6275, 6751, 7002, 7367, 7928, 8020 AND ECR 8340 INCORP.	KX	RH	11 JUL 84
C.1		FIRMWARE MRI KCO031 ECR KCO032 INCORP	TF	EDM	22/84
C.3		FIRMWARE MRI KCO078 K10034 INCORP	MMW	C77	18/86
C.5		ECOK10088	GH	GL	20/88

SPARE GATES



POWER SUPPLY



3. 'A' VERSION EPROMS REQUIRE FAST ALGORITHM ON PROGRAMMER. (C.3)

2. EPROMS SHALL BE PROGRAMMED.

1. UNLESS OTHERWISE SPECIFIED:

- a) ALL RESISTORS ARE ± 5%.
- b) ALL RESISTORS ARE 1/4 W.
- c) ALL DIODES ARE IN4148.

NOTES: REF.

UNLESS OTHERWISE SPECIFIED TOLERANCES .XX% .XXX% () INDICATES mm ANGLES: 0°-30°		DRNR: HATTER DESM: SCHOK CHK: KT ENG: H... APPR: ...	MITEL CORPORATION SCHEMATIC DIAGRAM PROM/RAM CARD 96K GENERIC 503
MATERIAL	REF: DWG	PRODUCT CODE	D 106359004
FINISH	USED ON	NEXT ASSY	SCALE SHEET 1 OF 5

DWG NO. 106359004

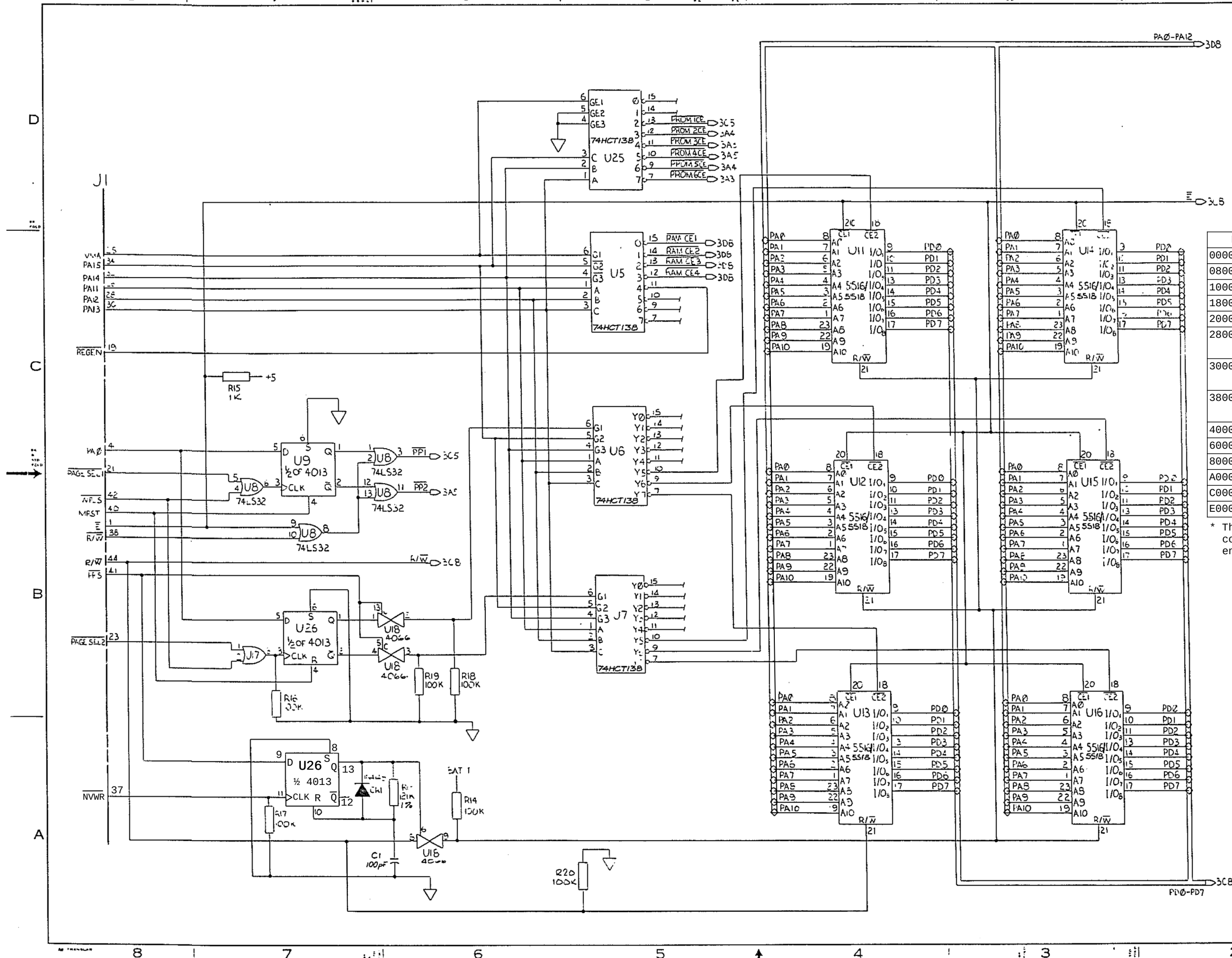
A

MCD002-778

REVISION					
ZONE	REV	DESCRIPTION	DRN	CHK	DATE
	2	SEE SHEET #1	R.H.	N.T.	FEB 82
	3	SEE SHEET #1	M.S.	A.T.	MAR 82
	A	SEE SHEET #1	M.S.	M.H.	MAR 82
	B	SEE SHEET #1	M.S.	M.H.	MAR 82
	B.1	SEE SHEET 1	M.S.	M.H.	MAR 82
	B.6	SEE SHEET 1	M.S.	M.H.	MAR 82
	C	SEE SHT. ONE	K.C.	R.H.	JUL 82
	C.1	SEE SHT. 1	T.F.	B.D.M.	AUG 82
	C.3	SEE SHT. 1	M.H.	C.M.	AUG 82
	C.5	ECOK10088	R.H.	S.J.	AUG 82

Range	Bank	Item
0000 - 07FF	both	-RAM_CE1
0800 - 0FFF	both	-RAM_CE2
1000 - 17FF	both	-RAM_CE3
1800 - 1FFF	both	-RAM_CE4
2000 - 27FF	both	-REGEN
2800 - 2FFF	0	U14
	1	U11
3000 - 37FF	0	U15
	1	U12
3800 - 3FFF	0	U16
	1	U13*
4000 - 5FFF	both	-PROM_1CE
6000 - 7FFF	both	-PROM_2CE
8000 - 9FFF	both	-PROM_3CE
A000 - BFFF	both	-PROM_4CE
C000 - DFFF	both	-PROM_5CE
E000 - FFFF	both	-PROM_6CE

* The range 2800 - 3FFF is controlled by the NVWR write enable signal, except for U13.



REVISION					
ZONE	REV	DESCRIPTION	DRN	CHK	DATE
	2	SEE SHEET #1	R.W.	K.T.	08/22/82
	3	SEE SHEET #1	M.S.	A.T.	09/23/82
	A	SEE SHEET #1	M.S.	M.L.	10/28/82
	B	SEE SHEET #1	M.S.	M.L.	11/18/82
	B.1	SEE SHEET 1	M.S.	A.B.	01/22/83
	B.6	SEE SHEET 1	M.S.	A.B.	02/18/83
	C	SEE SHT ONE	K.C.	R.H.	03/18/83
	C.1	SEE SHT 1	T.F.	B.D.M.	03/22/83
	C.3	SEE SHT 1	M.H.W.	C.M.	04/26/83
	C.5	ECOKIO088	R.H.	G.H.	05/18/83

