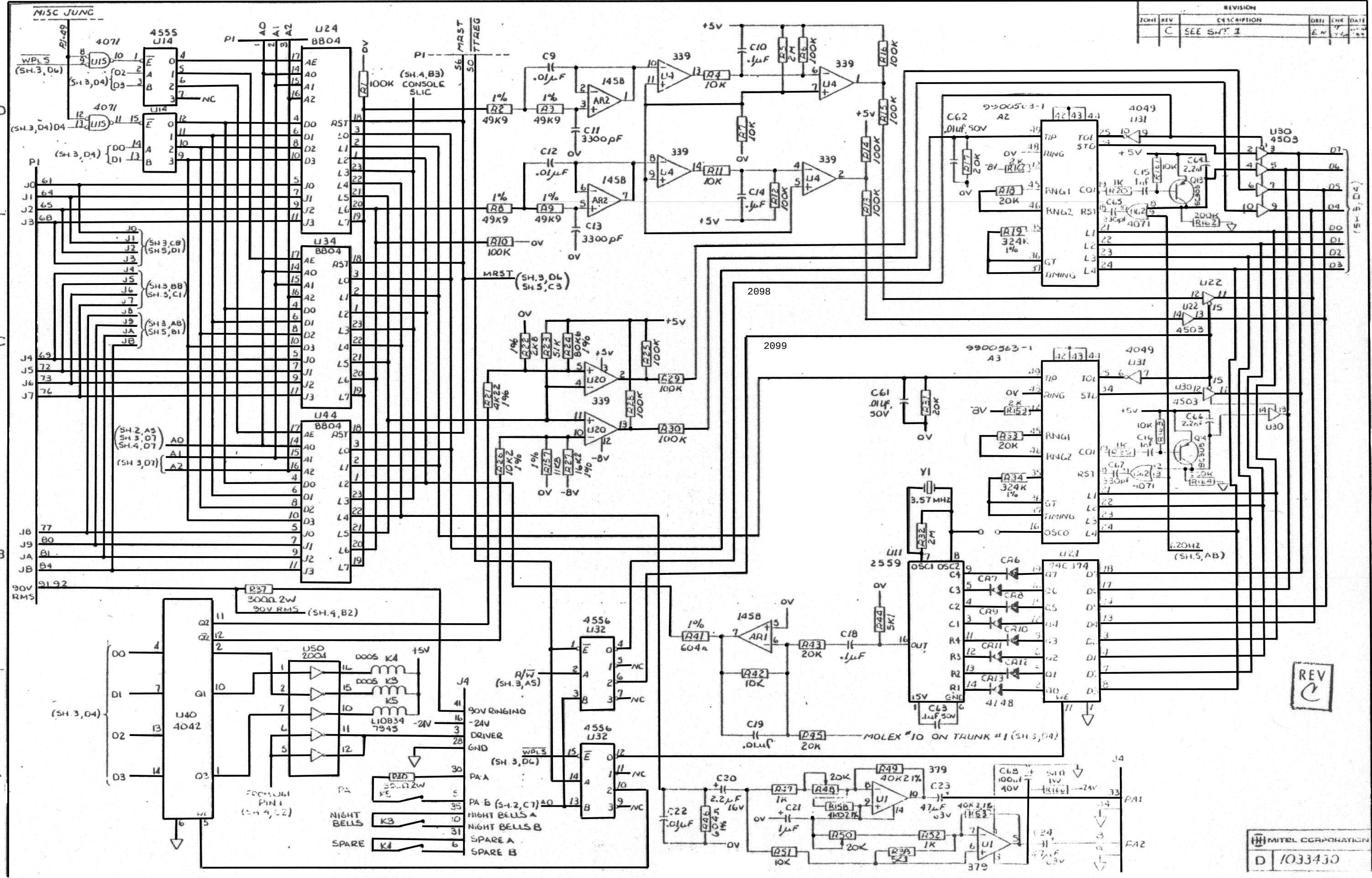
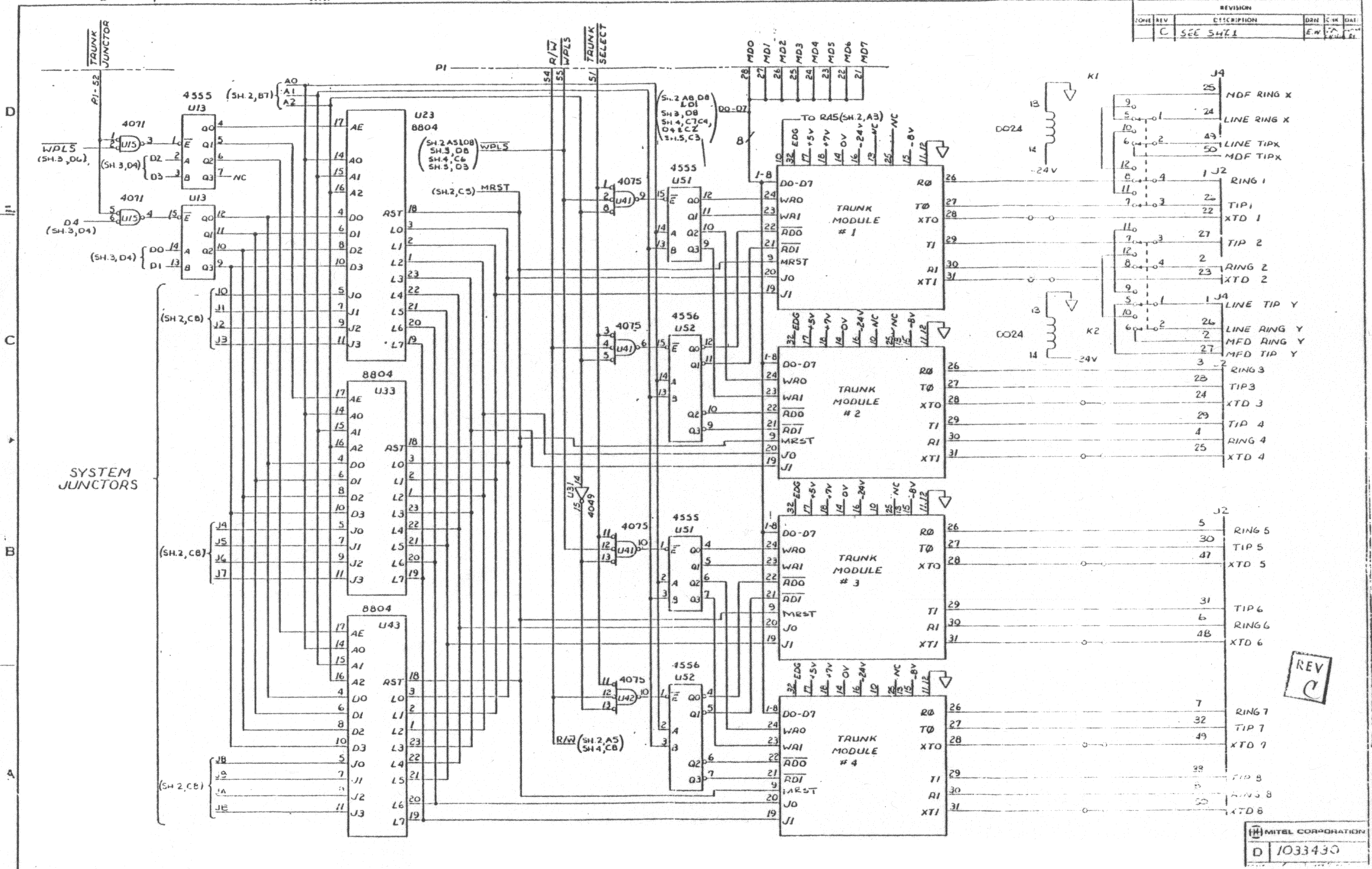


REVISION				
ZONE	REV	DESCRIPTION	DRN	CHK
	C	SEE SH. 1	E.W.	



REV
C

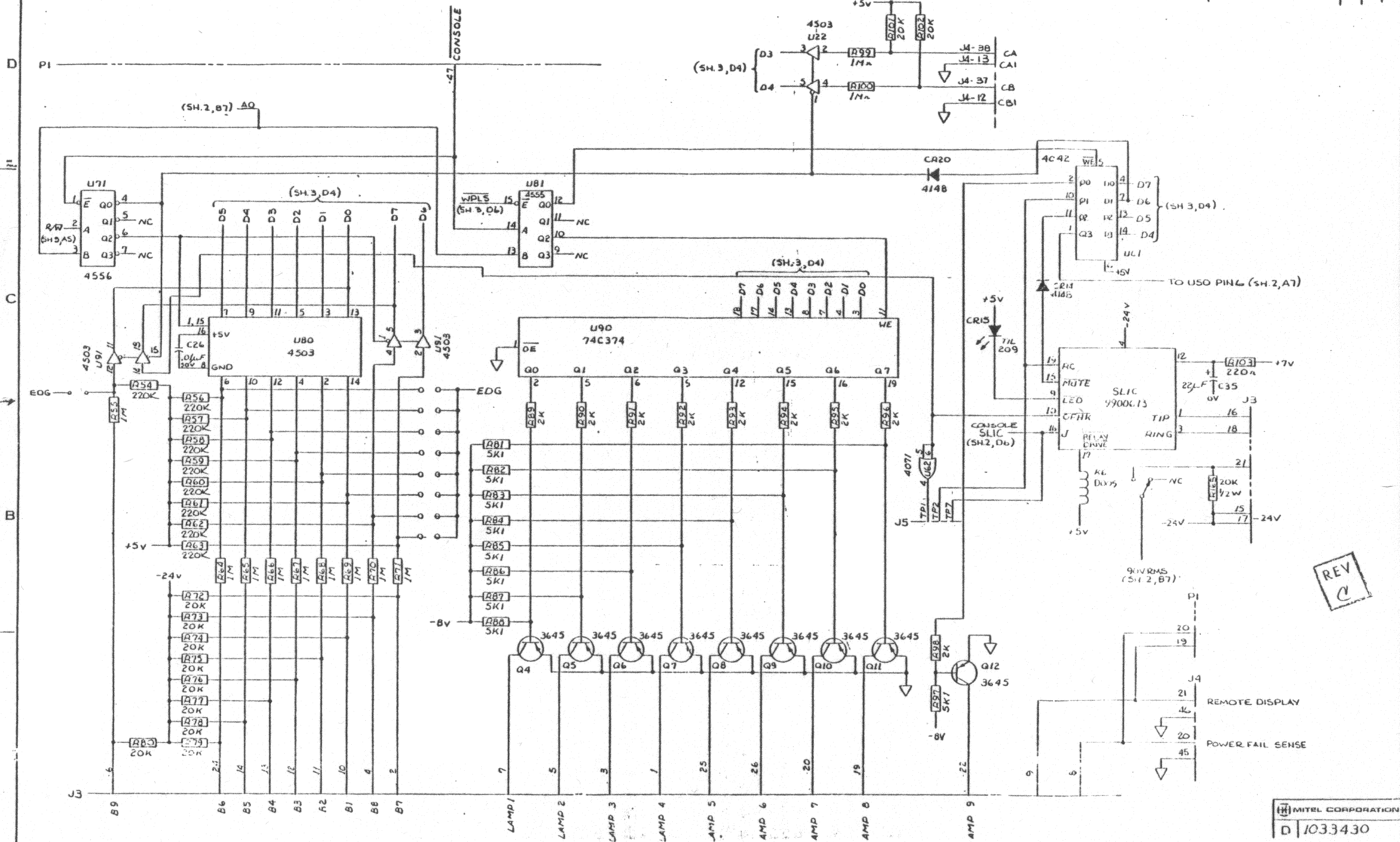
REVISION			
LINE	REV	DESCRIPTION	DATE
C		SEE SH.1	E.W.



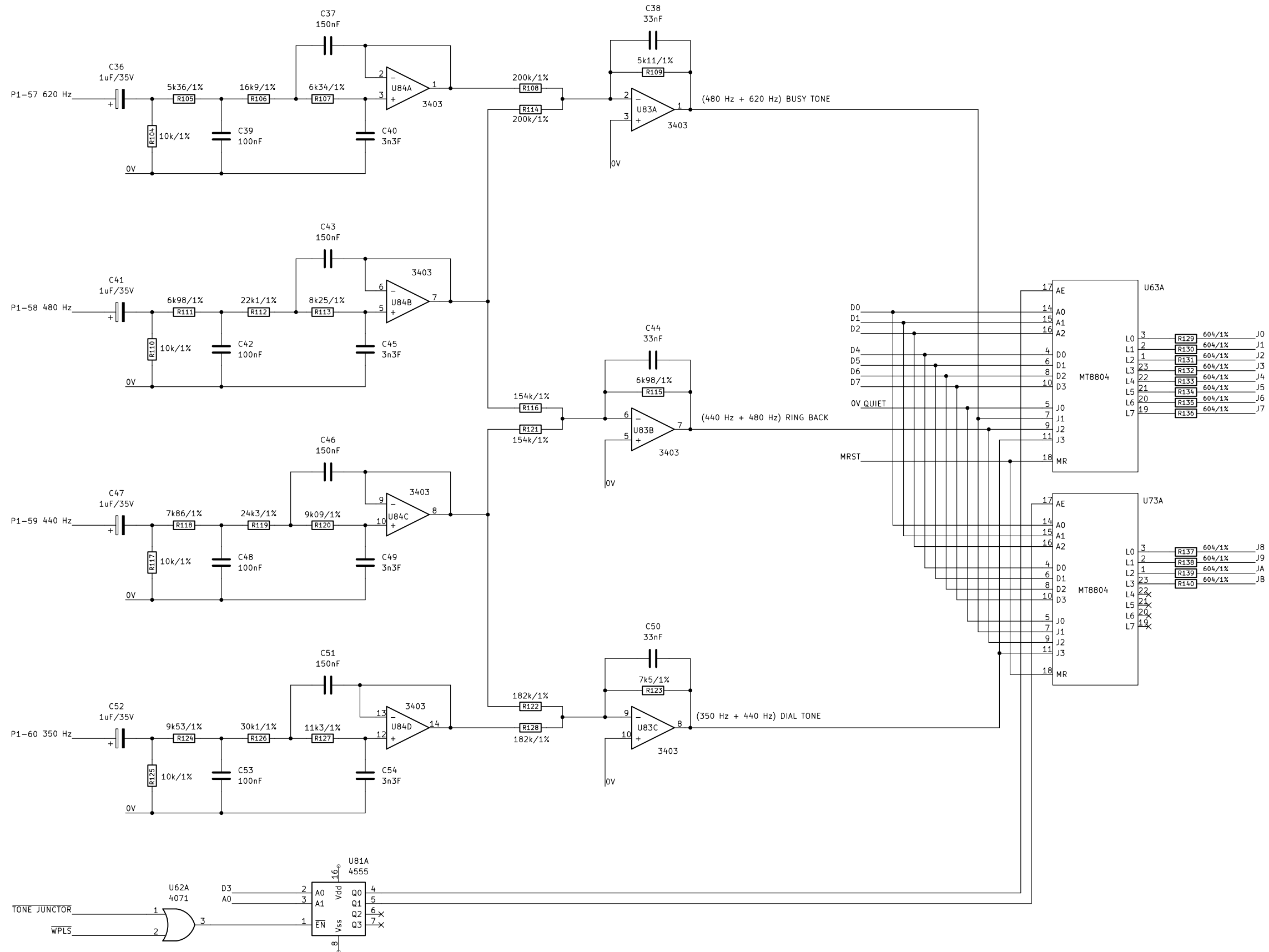
SYSTEM JUNCTIONS

REV C

REVISION				
ZONE	REV	DESCRIPTION	DRN	CHK
	C	SEE SH 1	E.W.	...

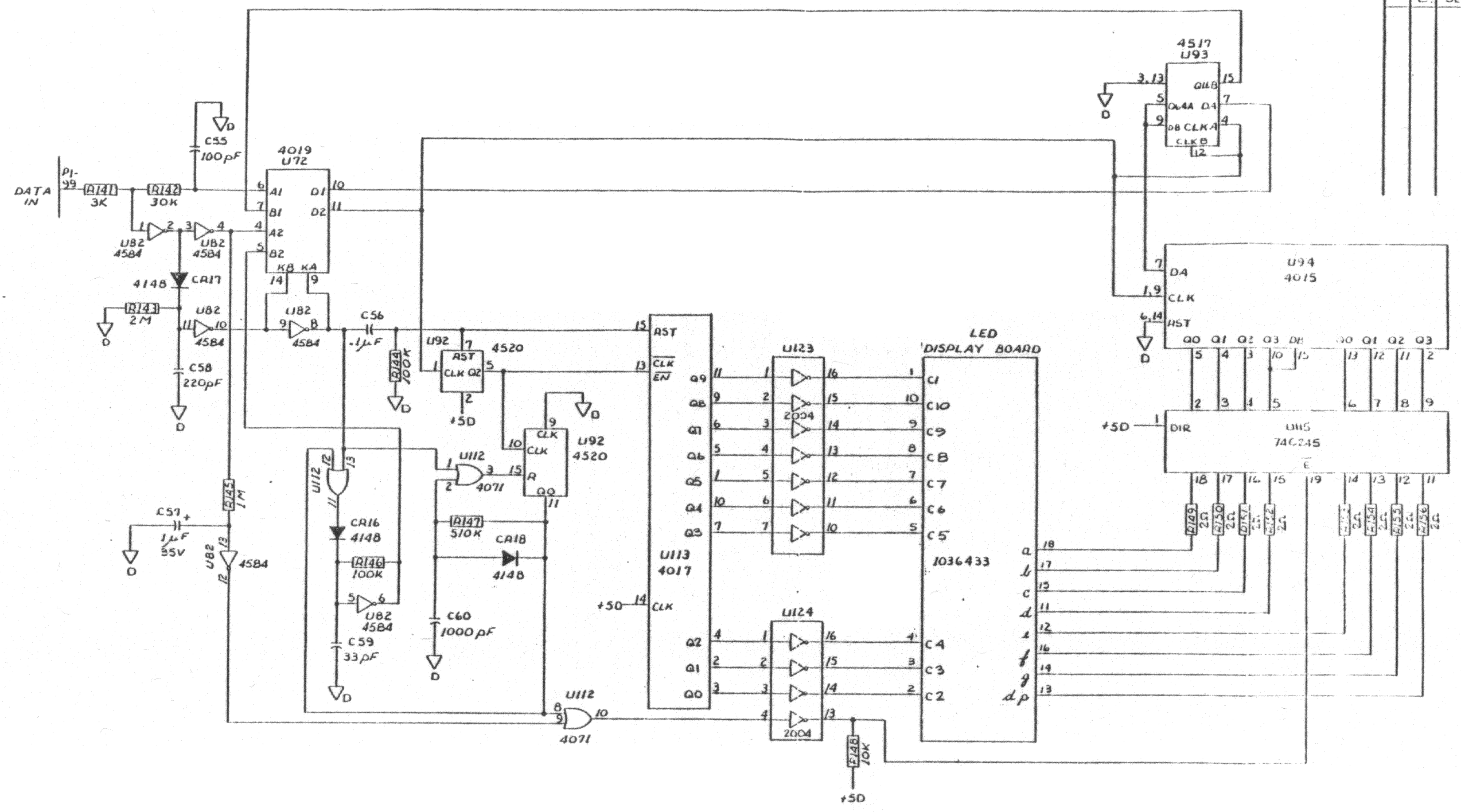


REV
C

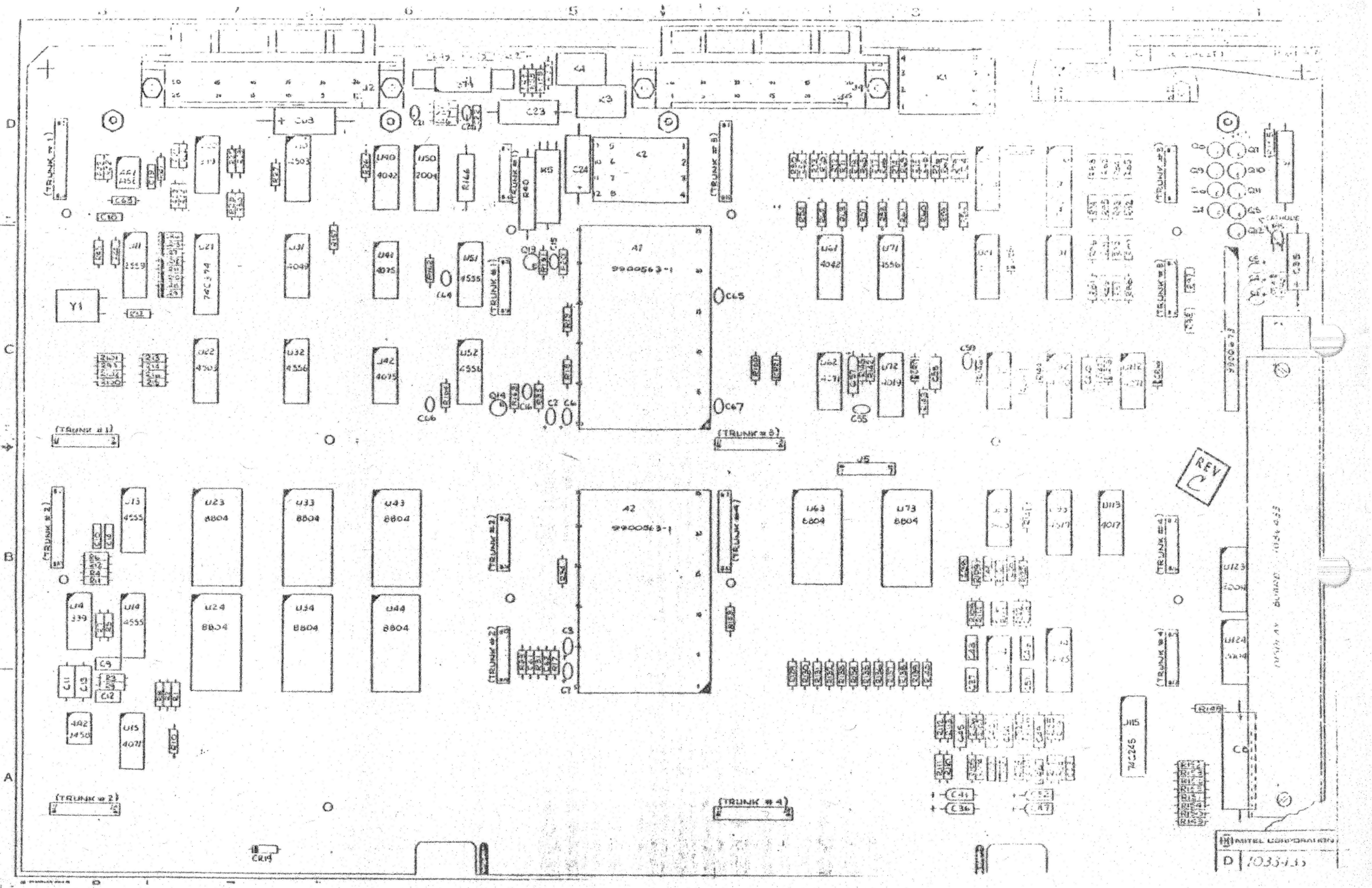


8 | 7 | 6 | 5 | 4 | 3 | 2 | 1

REVISION					
ZONE	REV	DESCRIPTION	ENR	CHR	DATE
	C.	SEE SHT 1	E.M.		5/22/71



REV C



REV
C

INTEL AV BOARD 1033-1.1