

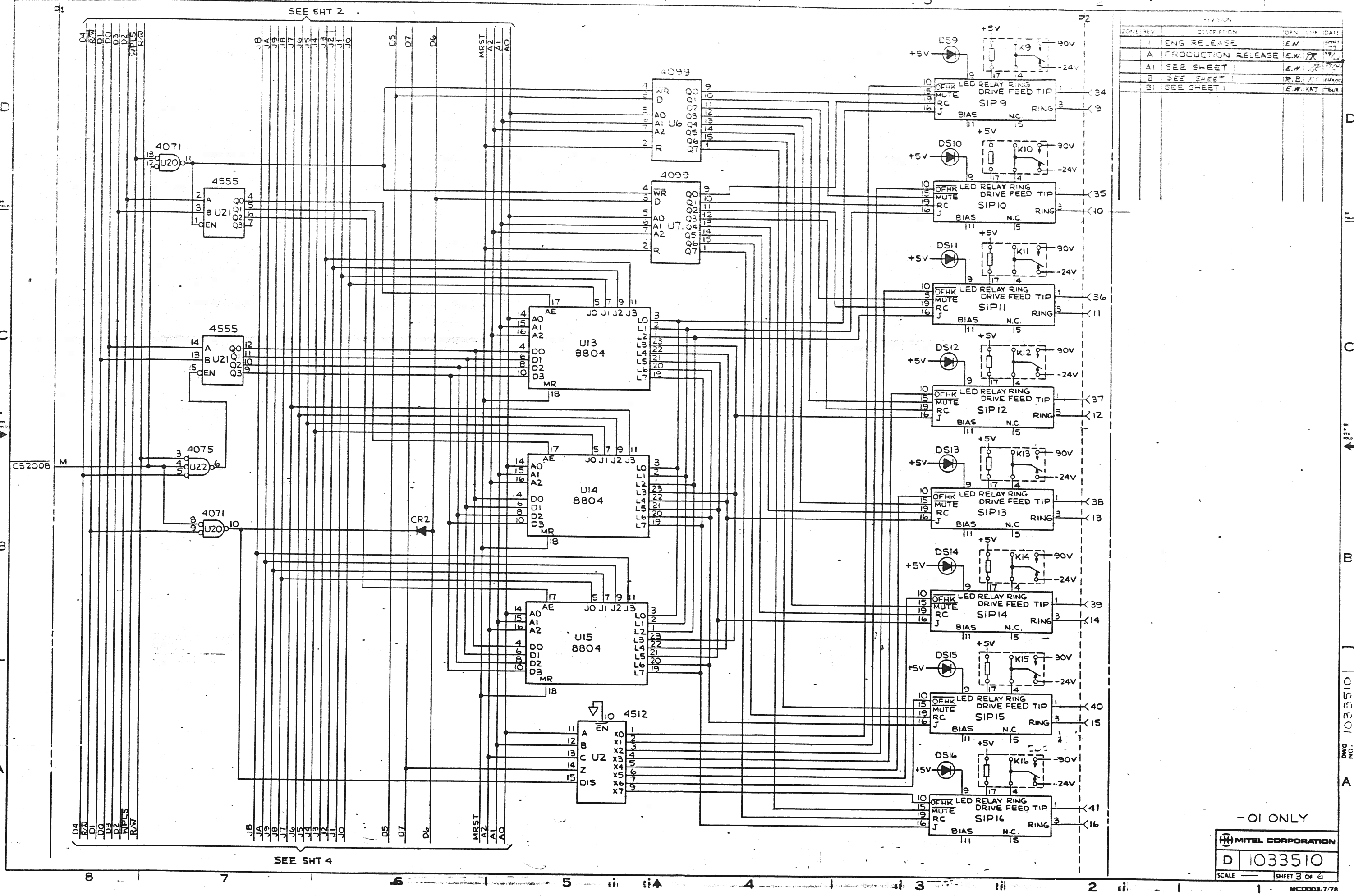




SEE SHT 2

SEE SHT 4

REV	DESCRIPTION	DATE	BY
1	ENG RELEASE	E.W.	
A	PRODUCTION RELEASE	E.W.	
A1	SEE SHEET 1	E.W.	
B	SEE SHEET 1	R.B.	
B1	SEE SHEET 1	E.W.	



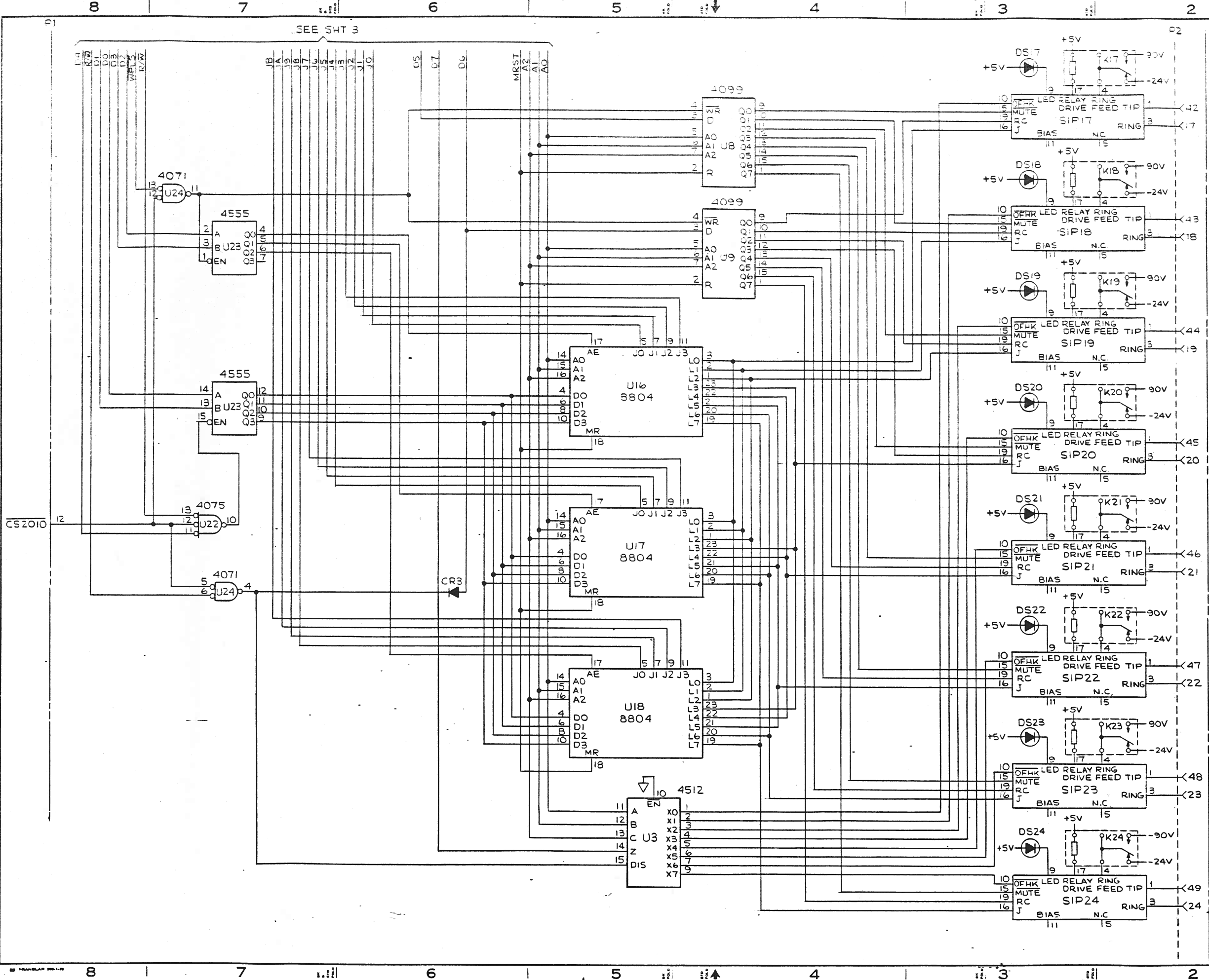
-01 ONLY

MITEL CORPORATION

D 1033510

SCALE SHEET 3 of 6

MCD003-7/78



REVISION					
ZONE	REV	DESCRIPTION	DRN	CHK	DATE
	1	ENG. RELEASE	E.W.		8/21/77
	2	PRODUCTION RELEASE	E.W.		7/1/77
	3	SEE SHEET	E.W.		7/1/77
	4	SEE SHEET	E.W.		7/1/77
	5	SEE SHEET	R.B.		7/1/77
	6	SEE SHEET	E.W.		7/1/77

-01 ONLY

**MITEL CORPORATION**

D 1033510

SCALE — SHEET 4 OF 6

MC0003-778

DWC 1033510 J

8 | 7 | 6 | 5 | 4 | 3 | 2 | 1

Permanently mark part number & revision in accord with location indicated, using .097-.12 high characters (color)

These drawings and specifications are the property of MITEL CORPORATION and shall not be reproduced, copied, or used as the basis for the manufacture, or sale of apparatus without the written permission of MITEL CORPORATION.

CATEGORY		REVISION			
ZONE	REV	DESCRIPTION	DRN	CHK	DATE
B1		THIS SHEET ADDED FOR -02 VARIANT	E.W. KAD		
B.1		MRI #1955			
B.1		MRI #2150			
B.1		MRI #3593			
B.1		MRI #5244			
B.1		MRI #5263			
B.2		MRI #5411 (CANCELLED)			
B.3		MRI #5820			
B.4		MRI #6653			
B.5		MRI #7367			

SIGNAL NAMES			
PIN No.	COMPONENT SIDE	PIN No.	SOLDER SIDE
1	A0	A	A1
2	A2	B	-8V
3	+7V	C	+7V
4	+5V	D	+5V
5	GND	E	GND
6	0V	F	0V
7	D7	H	D6
8	D5	J	D4
9	D3	K	D2
10	D1	L	D0
11	C52000	M	C52008
12	C52010	N	R/W
13	WPLS	P	MRST
14	J0	R	J1
15	J2	S	J3
16	J4	T	J5
17	J6	U	J7
18	J8	V	J9
19	JA	W	JB
20	-24V	X	-24V
21	EDG	Y	EDG
22	R/W	Z	90V RINGING

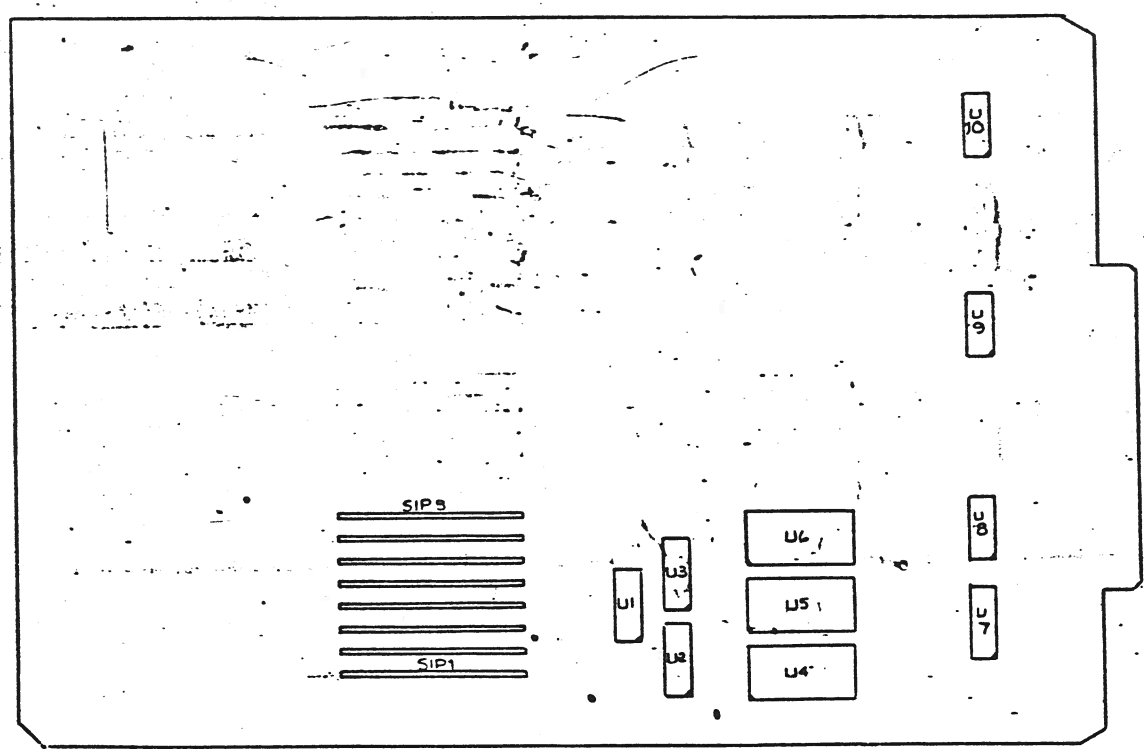
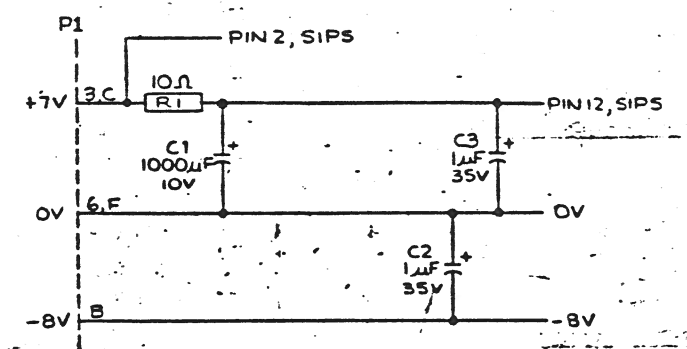
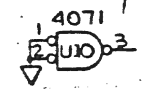
CHIP TYPE No.	CHIP REF No.	POWER INPUTS					
		+5V	GND	+7V	0V	-8V	-24V/90V
4071	U8, U10	14	7				
4099	U2, U3	16	8				
4512	U11	16	8				
4555	U7	16	8				
9901 02301	SIP1 THRU SIP8	20	18	2	7, 13	8	6, 14
8804	U4, U5, U6			24	12	13	
4075	U9	14	7				

HIGHEST REFERENCE DES. USED						
U10	SIP8	K8	C58	CR1	R4	C4

REFERENCE DES NOT USED						
U10	SIP8	K8	C58	CR1	R4	C4

SPARE GATES



BOARD LAYOUT SCALE 1:1  
-02 ONLY.

1. RESISTORS ARE ±5%, 1/4 W  
NOTES:

-02 ONLY

MITEL CORPORATION

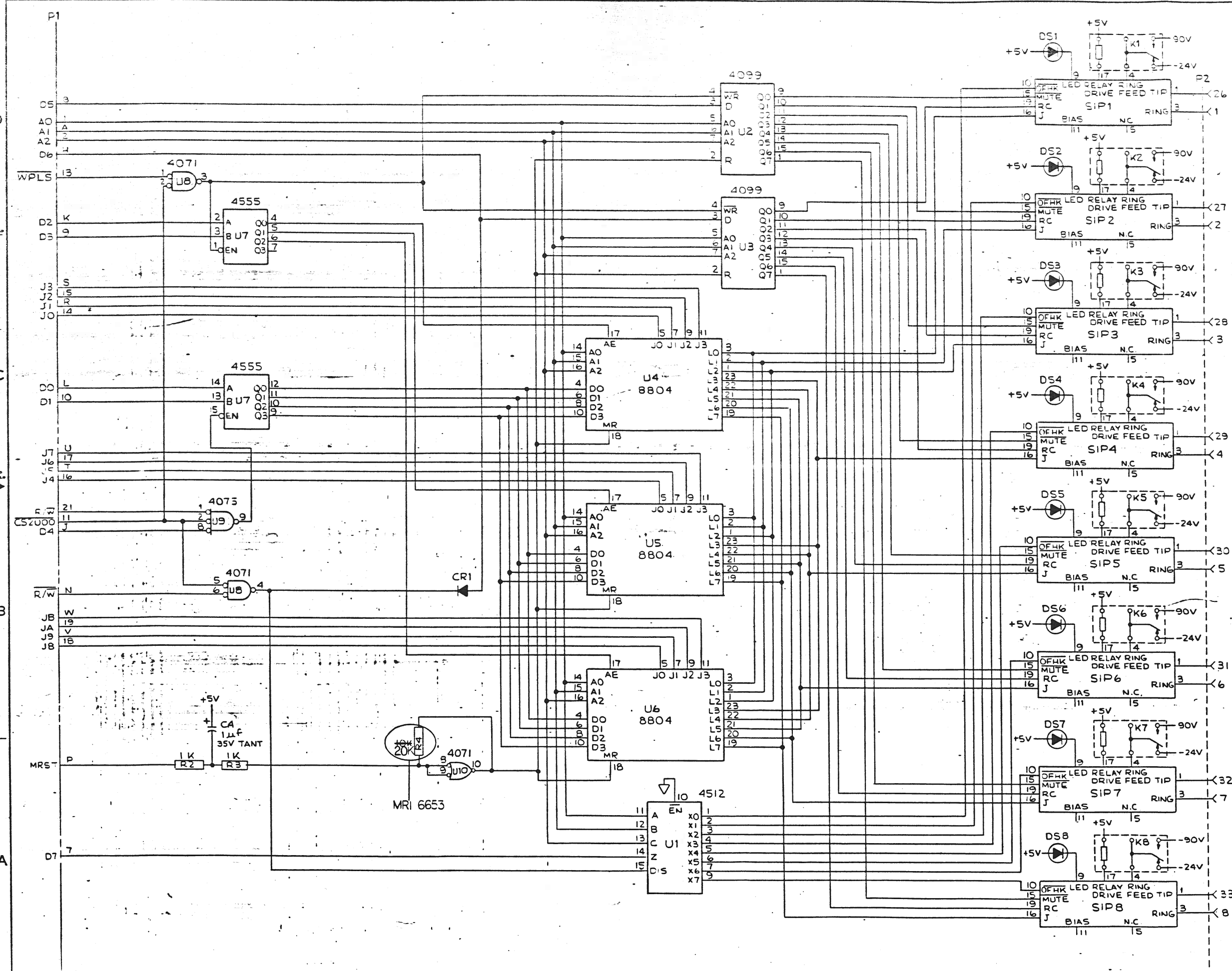
D 1033510

SCALE SHEET 5 OF 6

8 | 7 | 6 | 5 | 4 | 3 | 2 | 1

No. 1033510

REVISION			
ZONE/REV	DESCRIPTION	DRN	CHK
B1	THIS SHEET ADDED FOR		
B2	-02 VARIANT		
B3	MRI 6653		



-02 ONLY

MITEL CORPORATION  
 D 1033510  
 SCALE SHEET 6 OF 6