

PI SIGNAL NAMES	
PIN NO	PIN NO
1	AO
2	A1
3	A2
4	
5	
6	
7	
8	
9	
10	+7V
11	+5V
12	+5V
13	GND1
14	GND1
15	OV
16	OV
17	-8V
18	-8V
19	GND2
20	GND2
21	MD7
22	MD6
23	MD5
24	MD4
25	MD3
26	MD2
27	MD1
28	MDO
29	LD5
30	LD4
31	LD3
32	LD2
33	LD1
34	LD7
35	LD6
36	LD7
37	LINE 9-16
38	LINE 17-24
39	LINE 25-32
40	LINE 33-40
41	LINE 41-48
42	LINE 49-56
43	LINE 57-64
44	LINE 65-72
45	SPARE 3
46	SPARE 4
47	SPARE 5
48	SPARE 6
49	SPARE 7
50	SPARE 8
51	SPARE 9
52	SPARE 10
53	TIA
54	
55	TIB
56	
57	TIC
58	
59	
60	
61	CONSOLE
62	CONSOLE
63	TRUNK JUNC
64	TRUNK JUNC
65	TRUNK SEL
66	TRUNK SEL
67	E
68	J4
69	SPARE 6
70	
71	SPARE 7
72	
73	
74	
75	
76	
77	WDDIS
78	J5
79	PRS
80	
81	
82	MISC SPACE 1
83	MISC SPACE 2
84	J6
85	J7
86	IREM DISPLAY
87	-24V
88	-24V
89	EDG
90	EDG
91	DISPLAY
92	PFS
93	R/W
94	R/W
95	WPLS
96	MRST
97	620HZ
98	480HZ
99	350HZ
100	440HZ

CHIP POWER INPUTS			
CHIP TYPE	CHIP REF DESIG	5V	GND
68A09	U16	7	1
4049	U31	1	2
74HCT245	U30, U7, U22, U25, U29, U31, U32, U34, U35, U37	20	10
4013	U5, U52	14	7
4017	U18, U4	16	8
74LS190	U10	16	8
74LS74	U3	14	7
68A40	U7, U3	14	1
74HCT138	U33, U5, U2, U4, U9	16	8
4099	U36	16	8
74LS08	U21	14	7
74LS32	U40, U50	14	7
74HCT133	U20, U45	16	8
4021	U48	16	8
74LS00	U25, U37, U41	14	7
4002	U2	1	3
74LS160	U14	16	8
8250	U13	40	20
1489	U12	14	7
1488	U11	7	14
4584	U1	14	7
4011	U23	14	7
393	U24	8	
74LS367	U26	16	8
1458	AR1	8	4
74LS367	U26	16	8
1458	AR2	8	4
339	U44	3	12
74LS367	U26	16	8
74LS367	U26	16	8

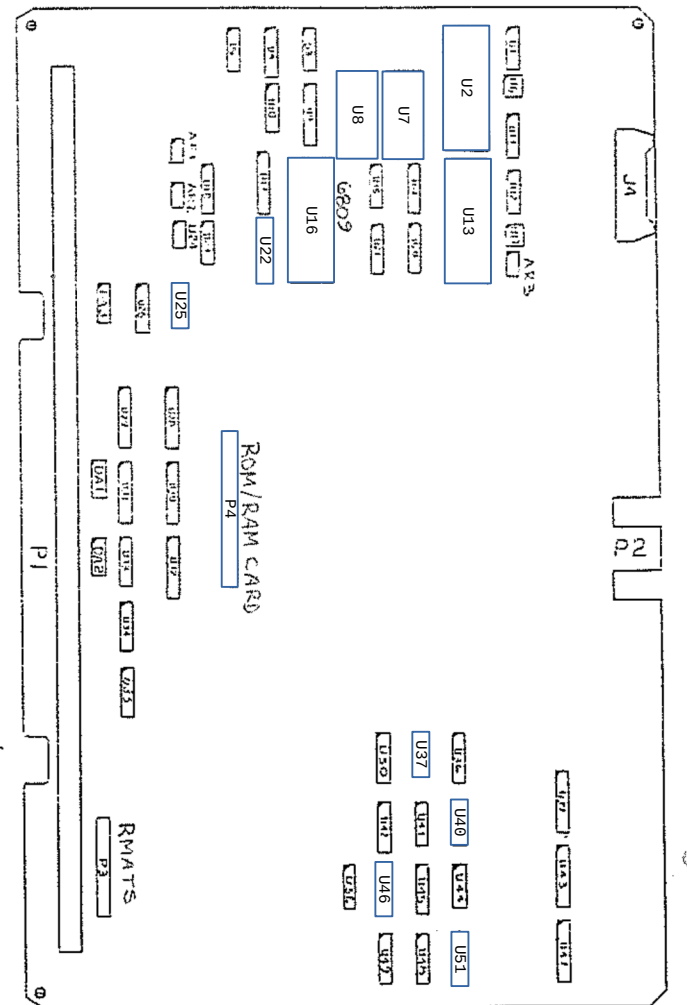
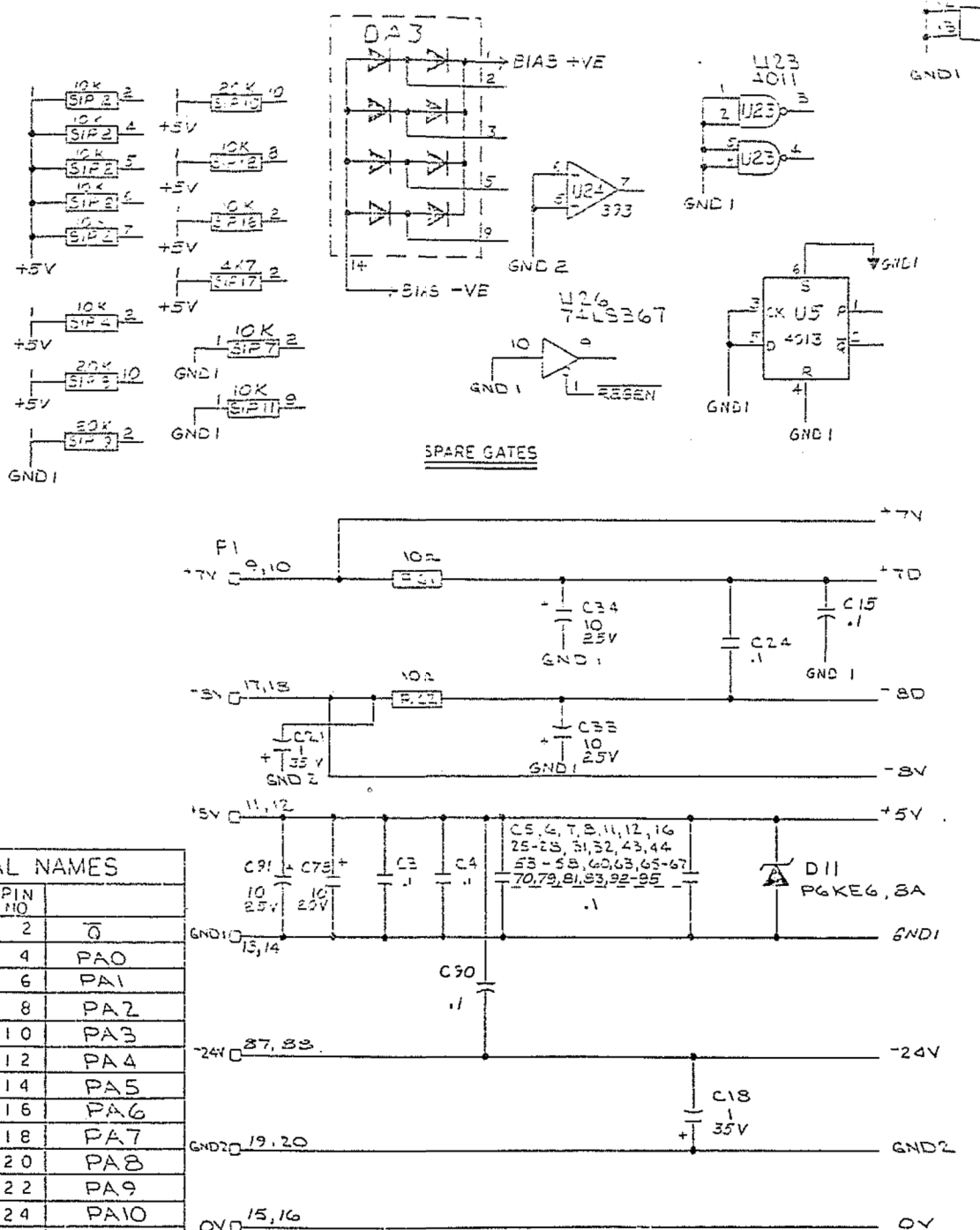
J4 SIGNAL NAMES			
PIN NO	PIN NO	PIN NO	PIN NO
1	CONTROL 2	2	OSR
3	CTS	4	DCD
5	RTS	6	NC
7	RECEIVE	8	DTR
9	TX	10	CONTROL 1
11	XMIT RET	12	REC RET
13	XMIT	14	REC
15	GND1	16	GND1
17	DATAOUT (R)	18	DATA IN (R)
19	DATAOUT (T)	20	DATA IN (T)

P3 SIGNAL NAMES			
PIN NO	PIN NO	PIN NO	PIN NO
1	NC	2	J5
3	J6	4	NC
5	NC	6	J4
7	J7	8	NC
9	NC	10	GND1
11	MRST 1	12	+5V
13	1MHZ	14	+7V
15	AO	16	-8V
17	A1	18	BD7
19	A2	20	BD6
21	RMATJ	22	BD5
23	RMAT	24	BD4
25	WPLS	26	BD3
27	RPLS	28	BD2
29	NC	30	BD1
31	OV	32	BDO
33	NC	34	NC

P4 SIGNAL NAMES			
PIN NO	PIN NO	PIN NO	PIN NO
1	E	2	Q
3	PD7	4	PA0
5	PD6	6	PA1
7	PD5	8	PA2
9	PD4	10	PA3
11	PD3	12	PA4
13	PD2	14	PA5
15	PD1	16	PA6
17	PDO	18	PA7
19	REGEN	20	PA8
21	PESEL1	22	PA9
23	PESEL2	24	PA10
25	YMA	26	PA11
27	+5V	28	PA12
29	+5V	30	PA13
31	GND1	32	PA14
33	GND1	34	PA15
35	BA	36	BS
37	NVWR	38	R/W
39	NC	40	MRST
41	PRS	42	WPLS
43	NC	44	R/W
45	NC	46	SW OPEN
47	SAD BATT	48	NC
49	GND1	50	GND1

HIGHEST REFERENCE DESIGNATION USED
AR31091101510A3109214111041641R121SP115101U5311

REFERENCE DESIGNATION NOT USED



3. ALL DIODES ARE INM148 UNLESS OTHERWISE SPECIFIED.
2. ALL CAPACITORS ARE IN MICROFARADS (UF) UNLESS OTHERWISE SPECIFIED.
1. ALL RESISTORS ARE IN OHMS (Ω) UNLESS OTHERWISE SPECIFIED.

NOTES:

UNLESS OTHERWISE SPECIFIED, REMOVE BURRS & SHARP EDGES () INDICATES mm. TOLERANCES .XX ± .XXX ±	DRN <i>[Signature]</i> 12/9/81	DES <i>[Signature]</i> 12/9/81	CHK <i>[Signature]</i> 12/9/81	ENG <i>[Signature]</i> 12/9/81	APPR <i>[Signature]</i> 12/9/81
MATERIAL					
FINISH					
PRODUCT CODE					
NEXT ASSY					
MATERIAL					
FINISH					
PRODUCT CODE					
NEXT ASSY					

MITEL CORPORATION
SCHEMATIC,
C.P.U. II
D 10609701
SCALE SHEET 6

J4
Console / Printer

P2

Uxx
74SC245

Uxx
74SC245

Uxx
74SC245

Uxx
1458

Uxx
111

Uxx
1488

Uxx
1489

Uxx
111

Uxx
082

U2
6402

U13
8250

Uxx
4099

U40
74LS32

Uxx
339

U51
4049

U7
68A40

Uxx
74LS169

Uxx
74SC139

U37
74LS00

Uxx
74LS00

Uxx
74LS139

Uxx
4021

U8
68A40

U15
74LS368

Uxx
74LS08

Uxx
74LS32

Uxx
74HCT138

U46
74LS138

Uxx
74LS138

Uxx
4013

Uxx
74LS74

Uxx
74SC245

U16
6809

Uxx
4017

Uxx
74LS190

Uxx
74SC245

U22
74SC245

Uxx
4013

P4
PROM/RAM Card

Q3
TIP125

Uxx
4017

Uxx
4011

Q4
TIP121

AR1
1458

AR2
1458

Uxx
339

U25
74LS00

Uxx
74SC245

Uxx
74SC245

Uxx
74SC245

Q5
TIP125

R30 330

R31 330

Uxx
74LS367

Uxx
74SC245

Uxx
74SC245

Uxx
74HCT138

Uxx
74HCT138

Uxx
74HCT138

Q6
TIP121

Y1
6MHZ

Uxx
74LS04

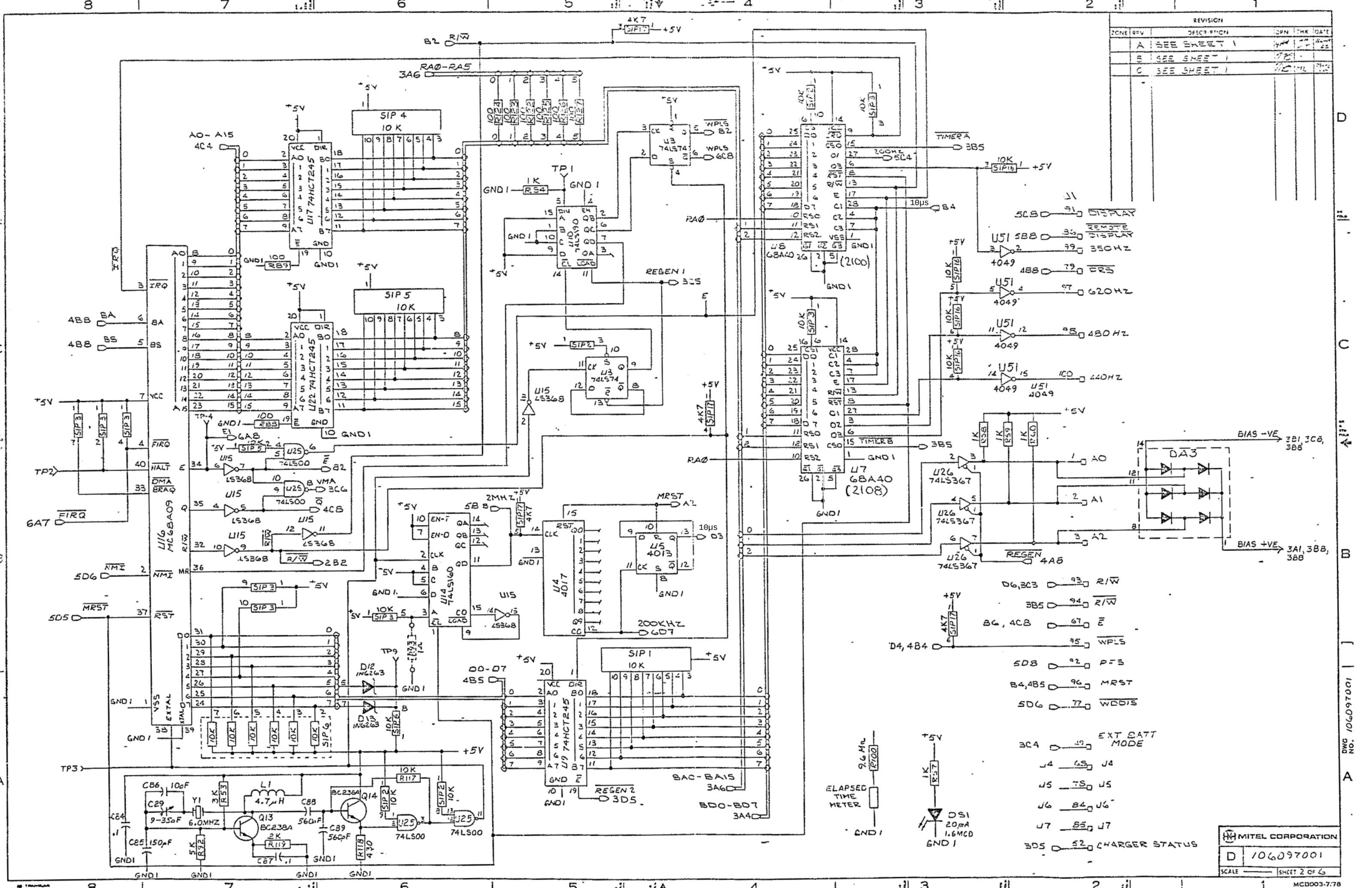
Uxx
2501

P3
RMATS

P1
System Bus

C13 470uF 40V

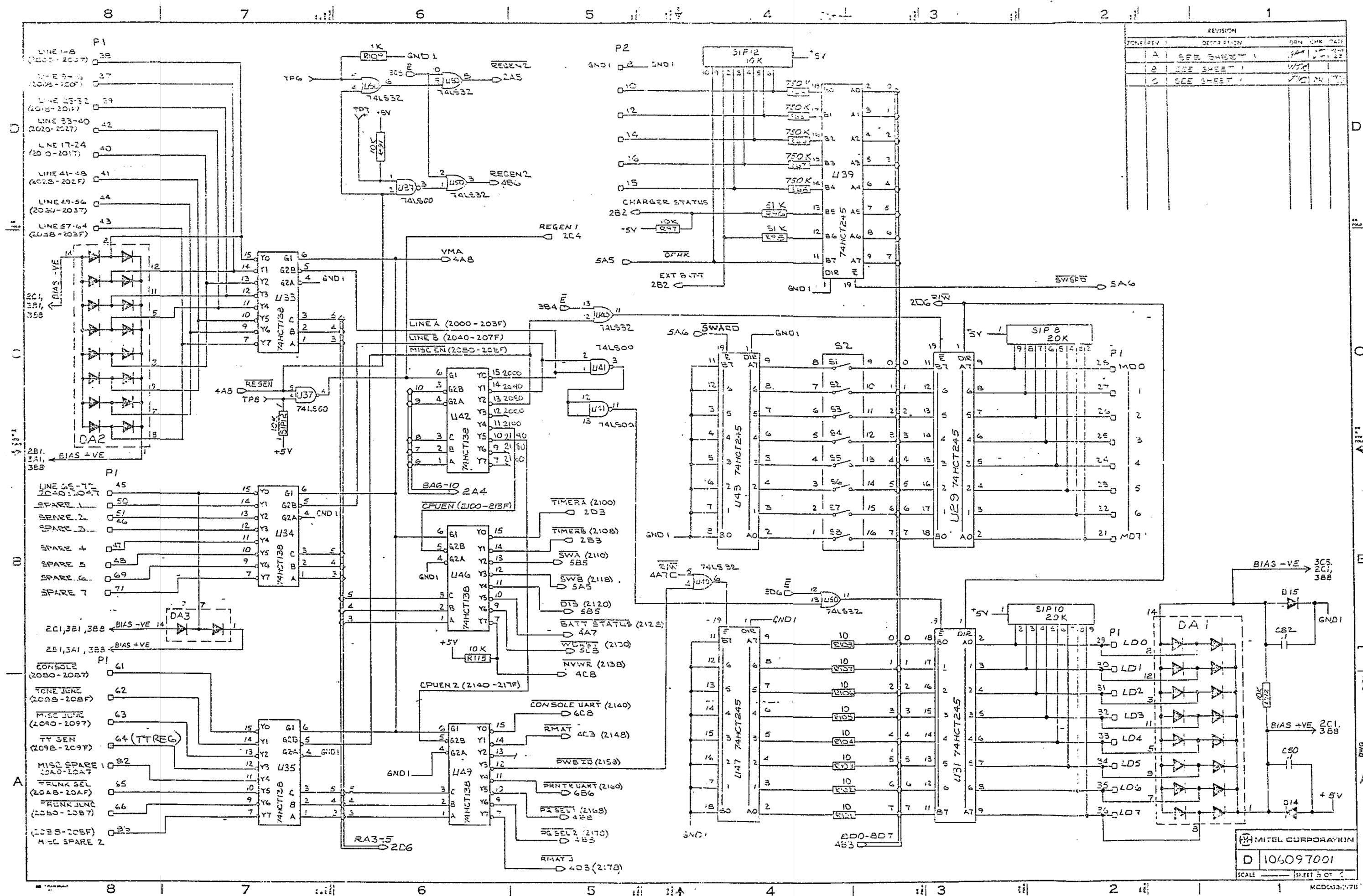
13307



REV	DESCRIPTION	DATE
A	SEE SHEET 1	
B	SEE SHEET 1	
C	SEE SHEET 1	

- 3B1, 3C8, 3B8 BIAS -VE
- 3A1, 3B8, 3B8 BIAS +VE
- D6, 3C3 93 R/W
- 3B5 94 R/W
- B6, 4C8 67 E
- D4, 4B4 95 WPLS
- 5D8 92 PFS
- B4, 4B5 96 MRST
- 5D6 77 WDDIS
- 3C4 49 EXT BATT MODE
- J4 65 J4
- J5 78 J5
- J6 84 J6
- J7 85 J7
- 3D5 52 CHARGER STATUS

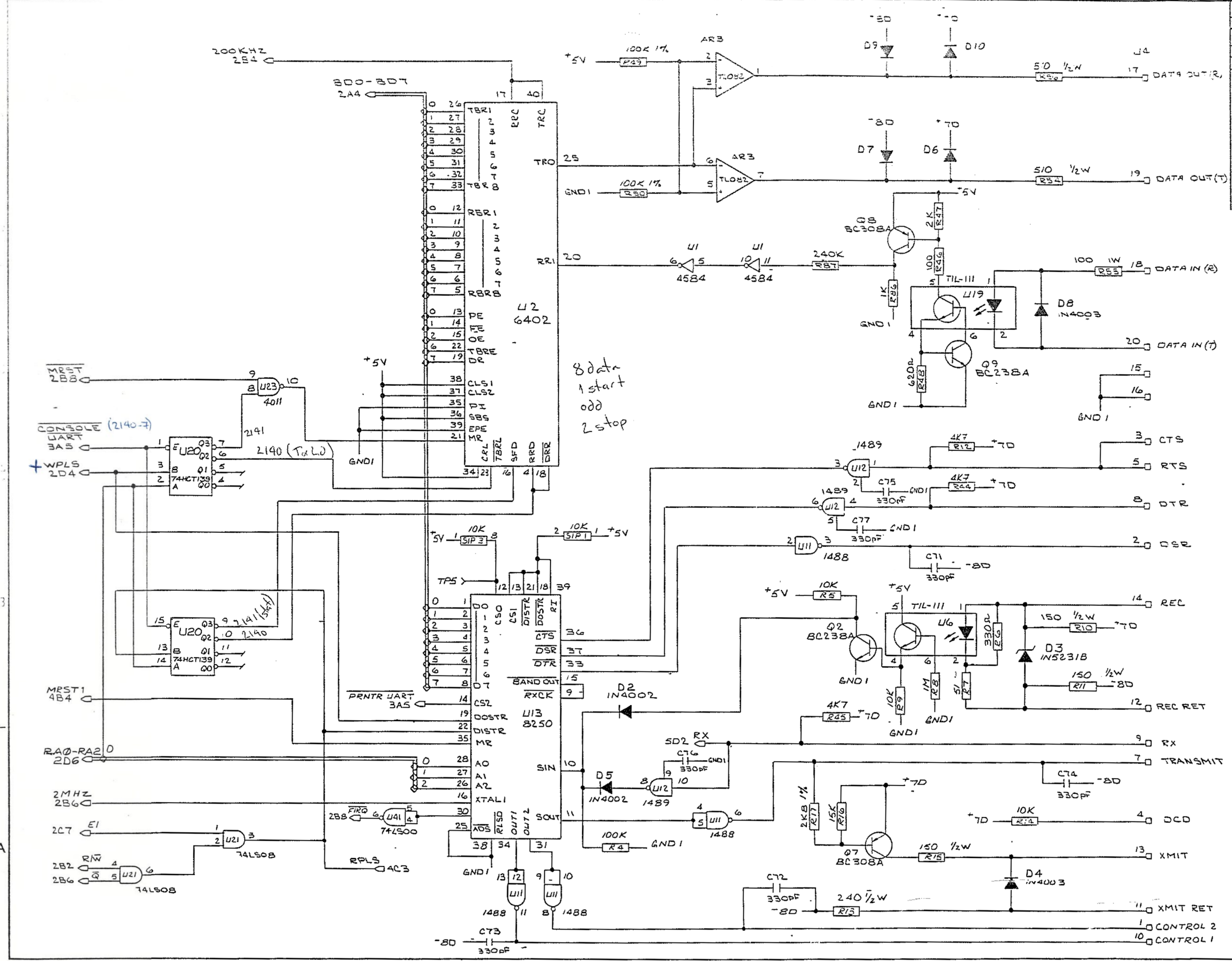
MITEL CORPORATION
 D 106097001
 SCALE SHEET 2 OF 6
 MCD003-778



REVISION				
ZONE/REV	DESCRIPTION	DRN	CHK	DATE
1	SEE SHEET 1			
2	SEE SHEET 1			
3	SEE SHEET 1			

MILITARY CORPORATION
 D 106097001
 SCALE SHEET 5 OF 5
 MCD033-770

REVISION			
ZONE	REV	DESCRIPTION	DRN / CHK / DATE
A	1	SEE SHEET 1	1/25/70
B	1	SEE SHEET 1	1/25/70
C	1	SEE SHEET 1	1/25/70



MITEL CORPORATION

D 106097001

SCALE SHEET 6 OF 6

D
C
B
A
106097001
DWC NO.
MCD003-778