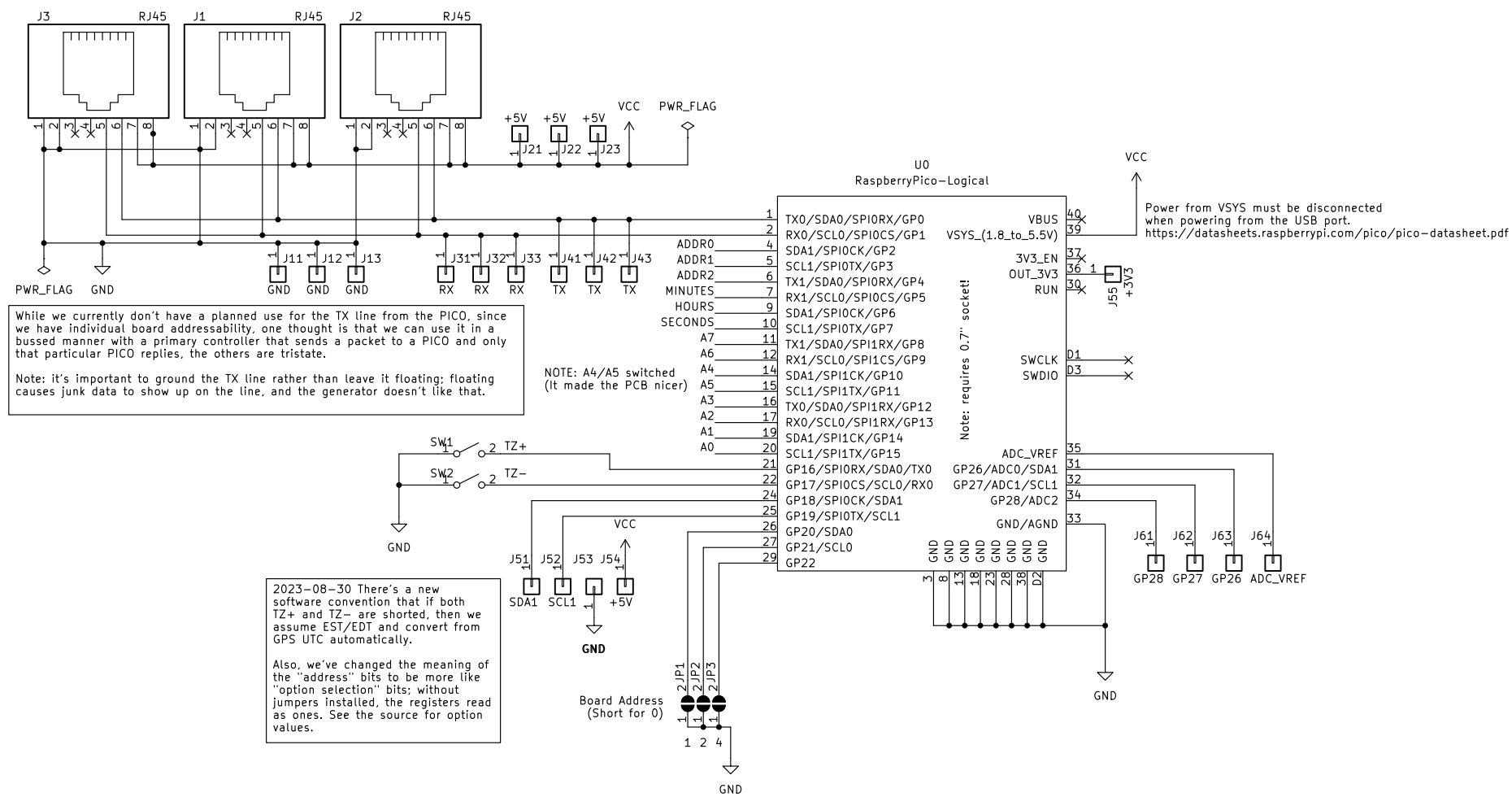
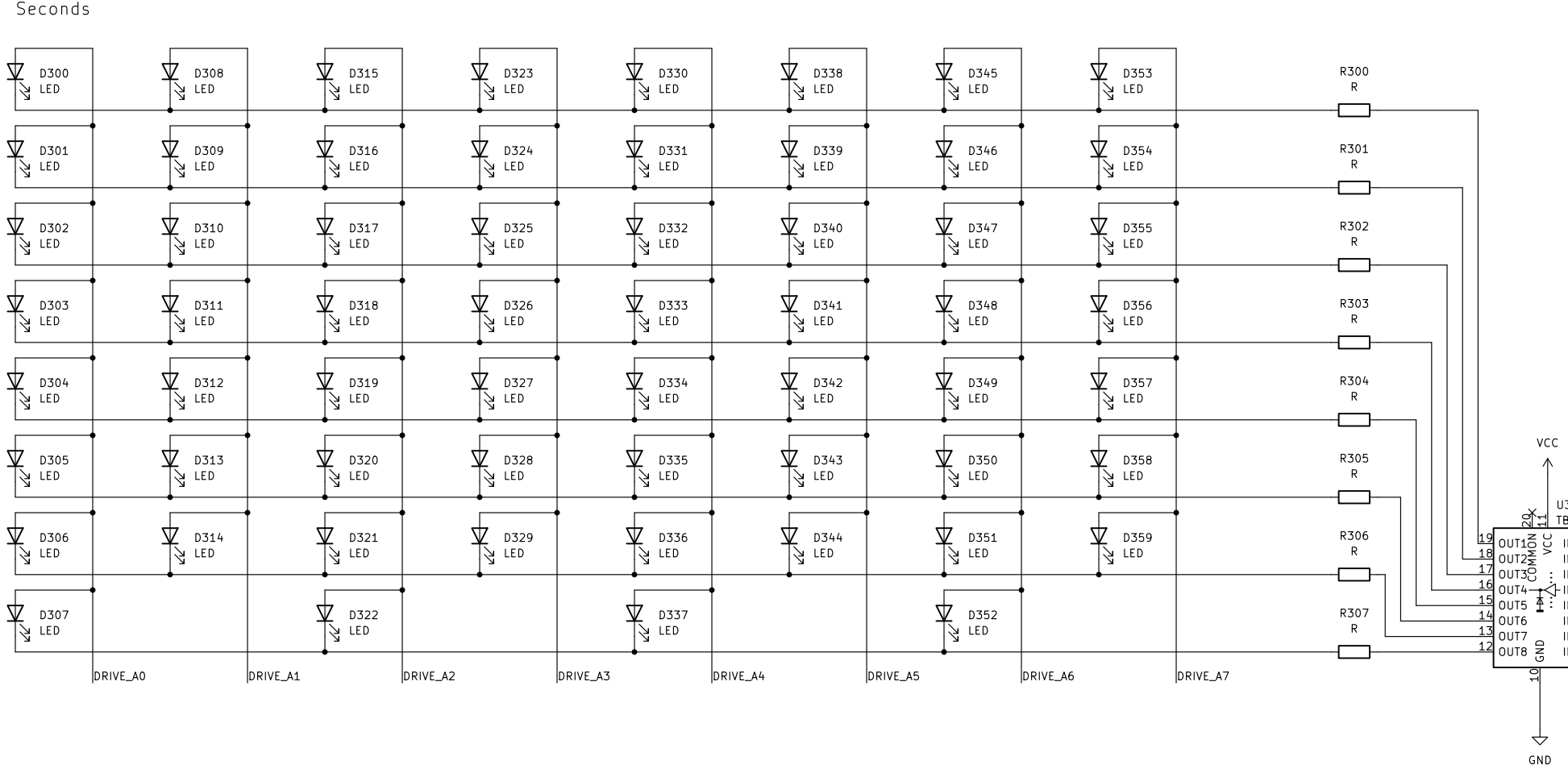
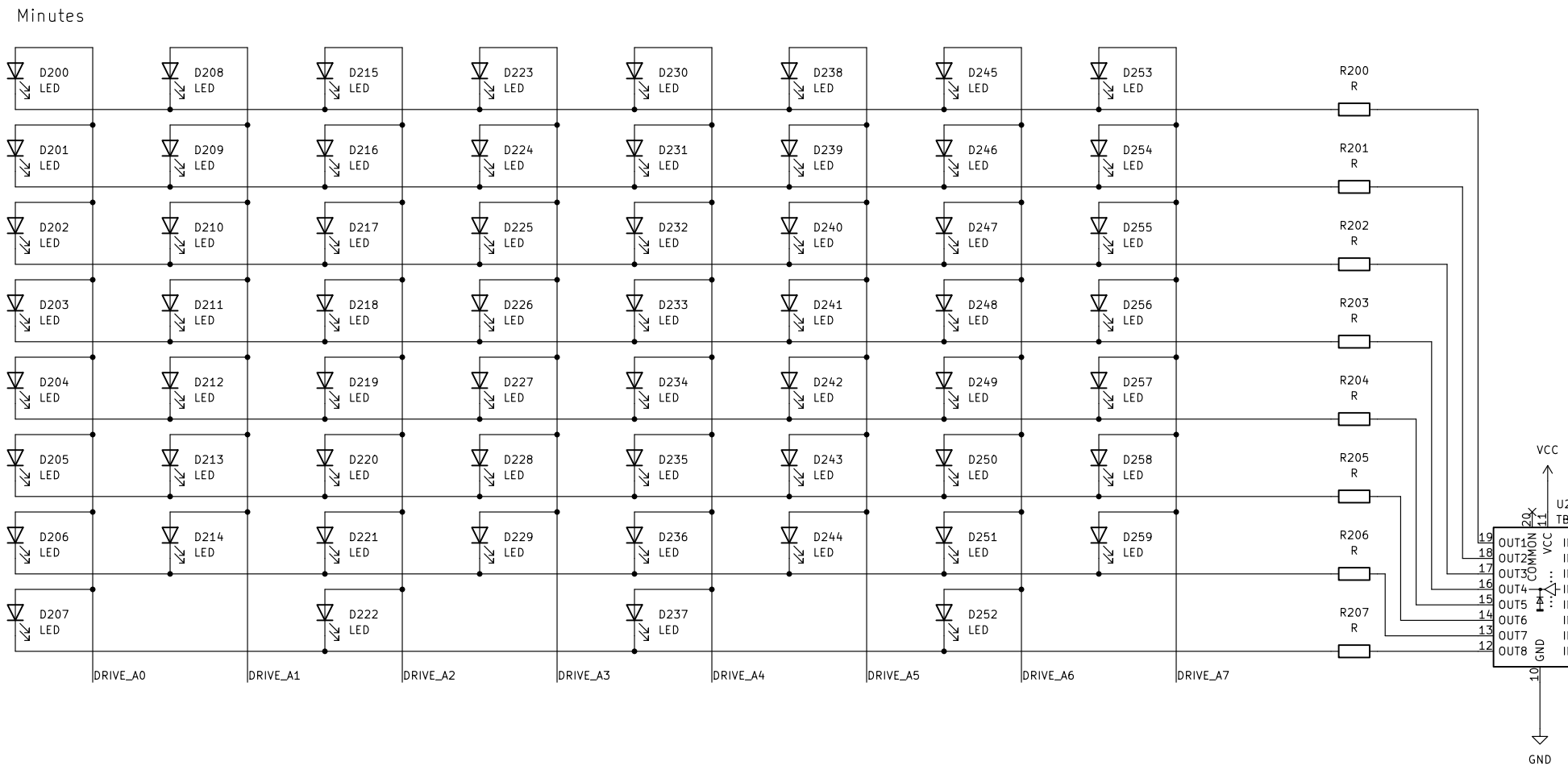
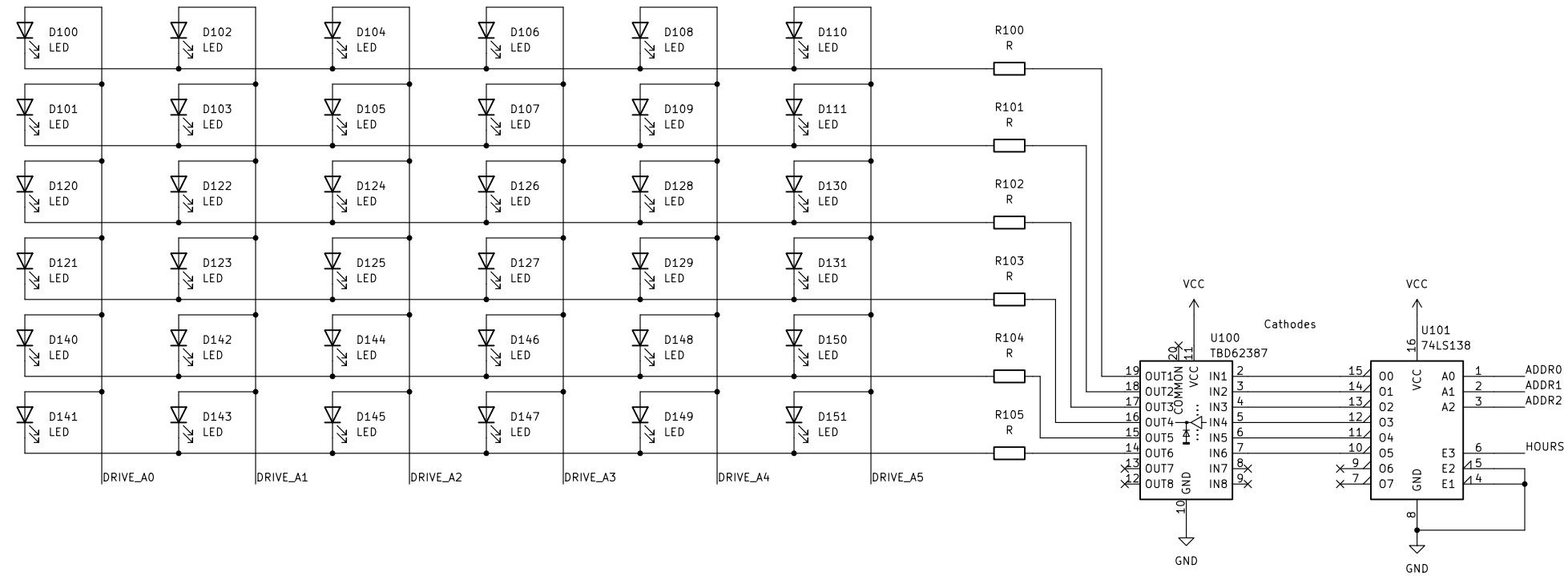
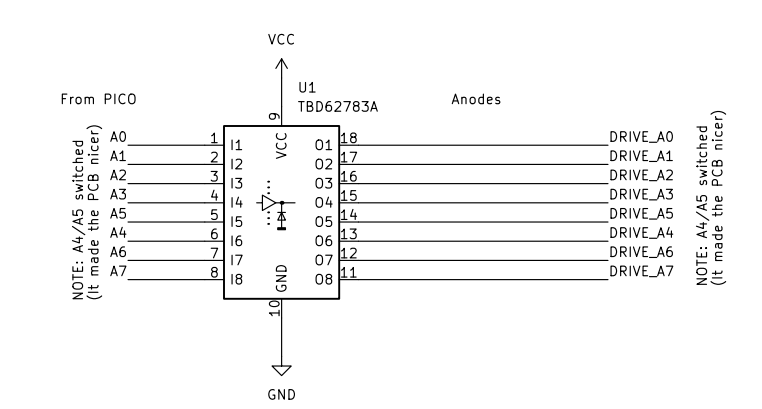
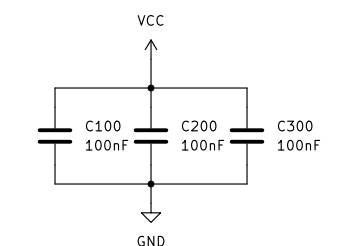


Hours: uses 36 LEDs (instead of 60) because that's all the "hour hands" we can fit into the space.



2023-08-30 There's a new software convention that if both TZ+ and TZ- are shorted, then we assume EST/EDT and convert from GPS UTC automatically.

Also, we've changed the meaning of the "address" bits to be more like "option selection" bits; without jumpers installed, the registers read as ones. See the source for option values.



We can try some pull-down resistors...